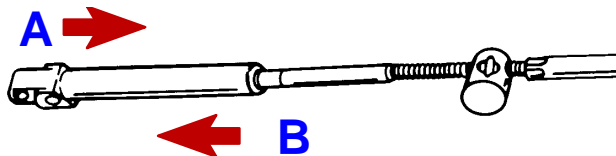


Bravo Models

NOTE: Using Adjustment Tool (91-12427), shift cables can be adjusted without or with the sterndrive installed, using the following procedure.

IMPORTANT: Sterndrive unit propeller rotation is determined by the shift cable installation in the remote control.

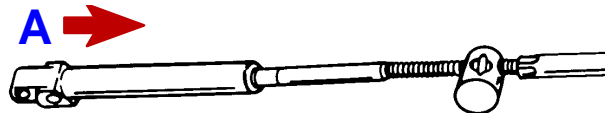
- **Bravo One/Two** - If shift cable end guide moves in direction **A** when control lever is placed in FORWARD, remote control is set up for RIGHT HAND (RH) propeller rotation.
- **Bravo One/Two** - If shift cable end guide moves in direction **B** when control lever is placed in FORWARD, remote control is set up for LEFT HAND (LH) propeller rotation.



71656

Arrow Indicates Direction Of Motion

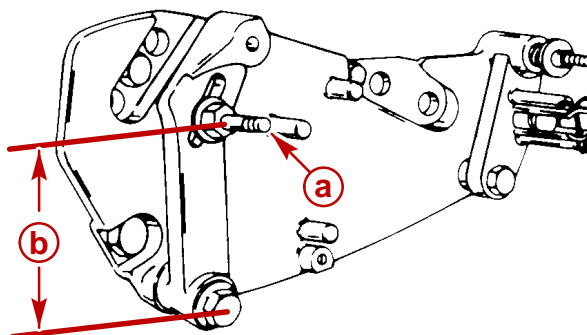
- **Bravo Three** - Front propeller on sterndrive unit is always LH Rotation and rear propeller is always RH Rotation. Shift cable end guide must move in direction **A**, when control lever is placed in FORWARD gear position.



71656

IMPORTANT: When installing shift cables, be sure that cables are routed in such a way as to avoid sharp bends and/or contact with moving parts. DO NOT fasten any items to shift cables.

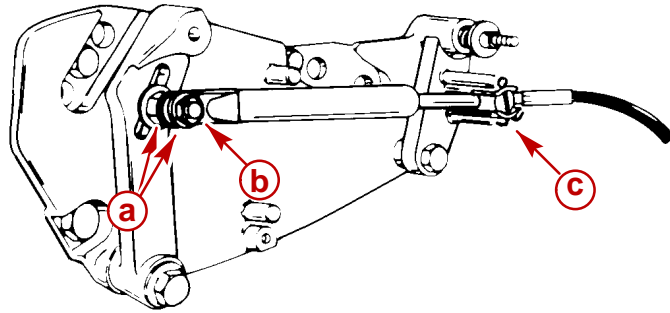
1. Install shift cable into remote control. (Refer to appropriate remote control instructions.)
2. Remove the guide.
3. Loosen stud and move it to dimension, as shown. Retighten stud.



71657

- a** - Stud
- b** - 3 in. (76 mm) (Center Of Pivot Bolt To Center Of Stud)

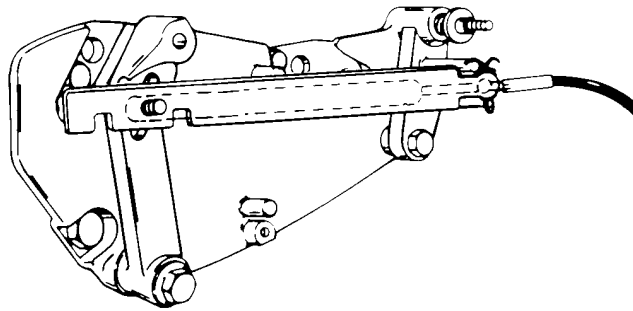
4. Install sterndrive unit shift cable.
5. Tighten locknut until it contacts and then loosen 1/2 turn.
6. Insert cotter pin from top and spread ends.



71658

- a** - Washers (2)
- b** - Locknut
- c** - Cotter Pin

7. Place adjustment tool over sterndrive unit shift cable, as shown. Hold tool in place, using a piece of tape over the barrel retainer.

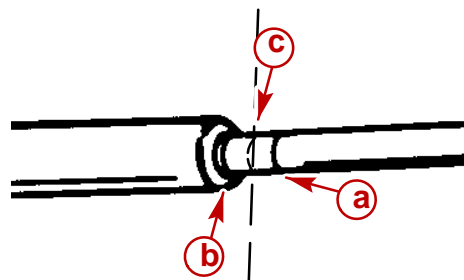


71659

8. Locate center of remote control and control cable play (backlash).

IMPORTANT: Be sure to keep center mark "c" aligned with control cable end guide edge when making the following adjustment.

- a. Shift remote control to NEUTRAL.
- b. Push in on control cable end with enough pressure to remove play and mark position "a" on tube.
- c. Pull out on control cable end with enough pressure to remove play and mark position "b" on tube.
- d. Measure distance between marks "a" and "b" and mark position "c" half-way between marks "a" and "b."



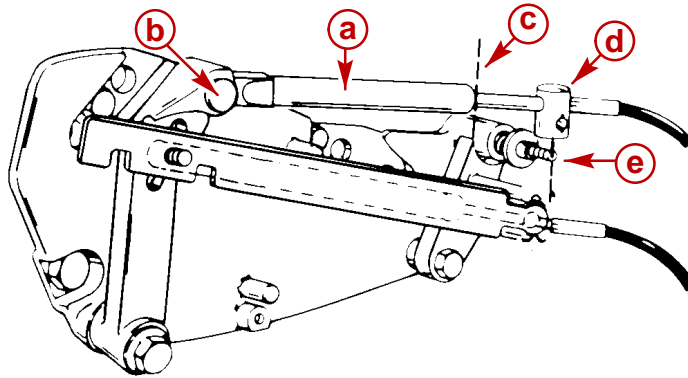
71656

9. Temporarily install control cable end guide into shift lever and insert anchor pin.
10. Adjust control cable barrel so that hole in barrel centers with vertical centerline of stud. Ensure that backlash center mark is aligned with edge of control cable end guide.

⚠ CAUTION

DO NOT attempt to install or remove control cable barrel from stud without first removing end guide anchor pin from shift lever and removing cable. Attempting to bend control cable to install or remove barrel will place undue stress on cable end guide and shift lever and damage to both could occur.

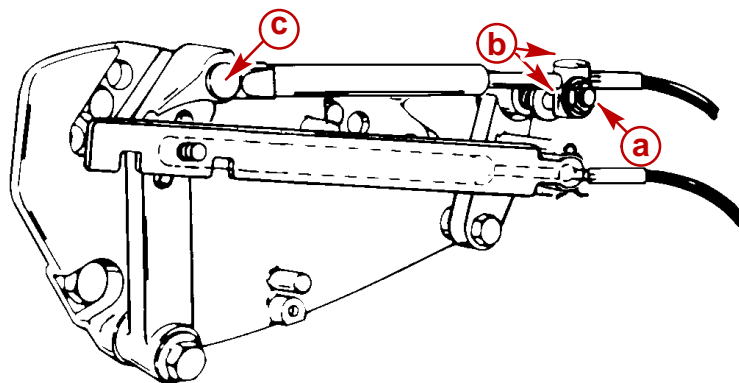
11. Remove control cable end guide from shift lever by removing anchor pin.



71660

- a** - Control Cable End Guide
- b** - Anchor Pin
- c** - Backlash Center
- d** - Control Cable Barrel
- e** - Stud

12. Install control cable.
13. Install washer and locknut.
14. Tighten locknut until it contacts and then loosen 1/2 turn.
15. Insert cotter pin from top and spread ends.



71661

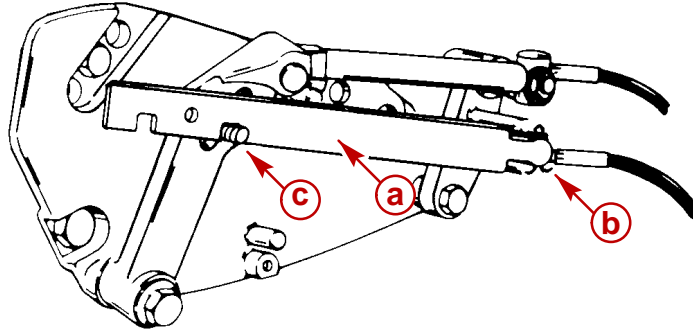
- a** - Locknut
- b** - Washers - Both Sides Of Barrel
- c** - Anchor Pin
- d** - Cotter Pin (Not Shown)

16. Remove adjustment tool.
17. Shift remote control lever into full FORWARD position. Place end of adjustment tool in barrel retainer.

RH rotation Bravo One, Two and Three Models: Rear slot in tool should fit over shift lever stud.

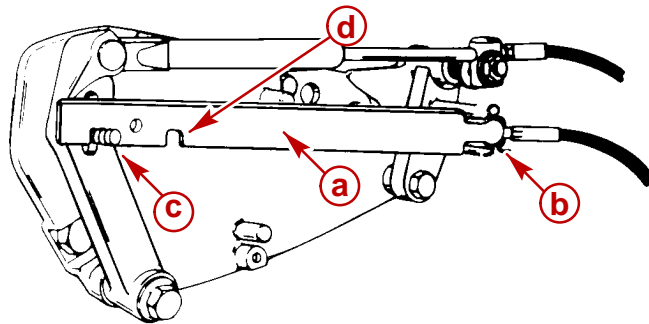
LH rotation Bravo One And Two: Forward slot in tool should fit over shift lever stud.

If slot does not fit over stud, loosen shift lever stud and slide stud up or down until slot in tool fits over stud. When adjustment is correct, retighten stud.



71662

RH Rotation Bravo One, Two, Three



71663

LH Rotation Bravo One And Two

- a** - Adjustment Tool
- b** - Barrel Retainer
- c** - Shift Lever Stud
- d** - Shift Lever Adjustment Slot

18. Remove adjustment tool.
19. Lubricate shift cable pivot points.

Description	Where Used	Part Number
SAE 30W Engine Oil	Shift Cable Pivot Points	Obtain Locally