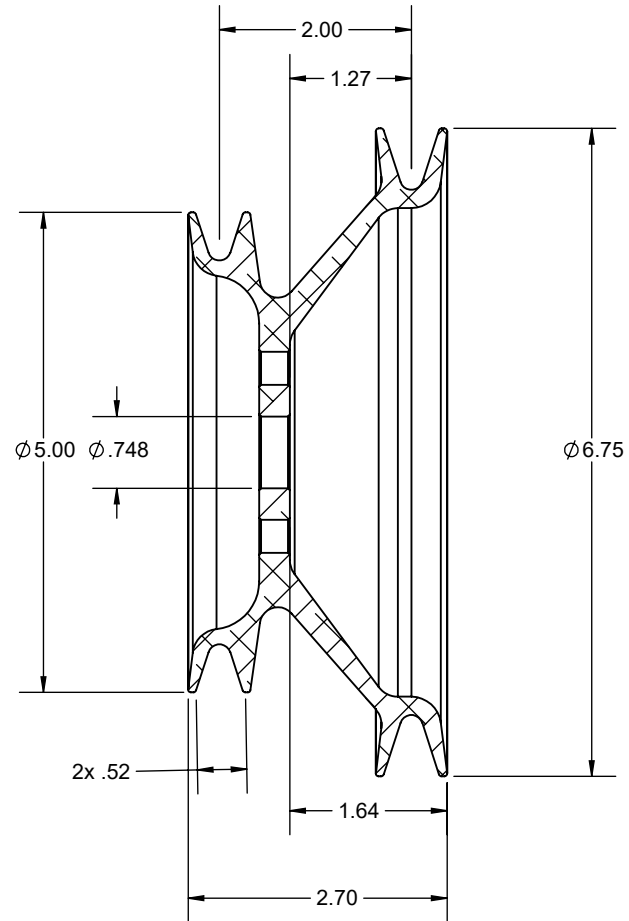
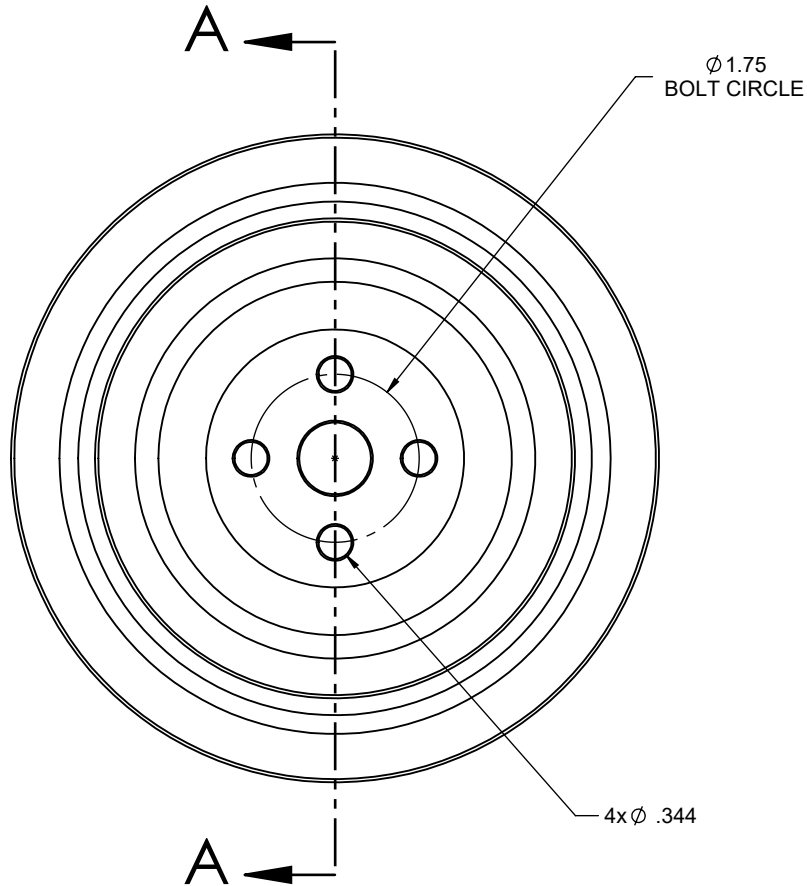
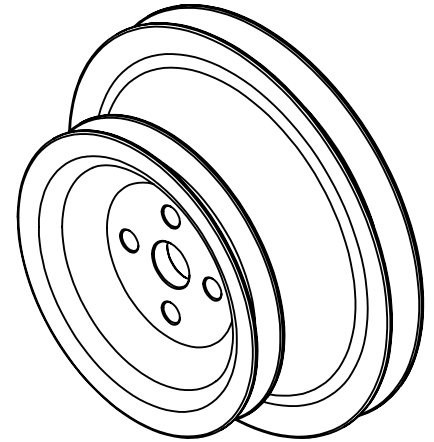


HARDIN 11 Industry Dr. Palm Coast, FL 32137
MARINE 386-445-2500 / FAX 386-445-1122

PART NO.
625-4256

TITLE: PULLEY, SEA PUMP - 2 GRV FOR HARDIN X-
OVER MNT P/S PUMP - GEN 2

www.hardin-marine.com



SECTION A-A
SCALE 1 : 2

THIS DRAWING IS CONFIDENTIAL AND IS SUPPLIED ON EXPRESS CONDITION THAT IT SHALL NOT BE LENT, COPIED OR DISCLOSED TO ANY OTHER PERSON OR USED FOR ANY OTHER PURPOSE WITHOUT WRITTEN CONSENT OF HARDIN MARINE INC.. BREACH OF THIS CONTRACT WILL HOLD AND IT'S PRINCIPALS LIABLE FOR LOSS AND DAMAGES.