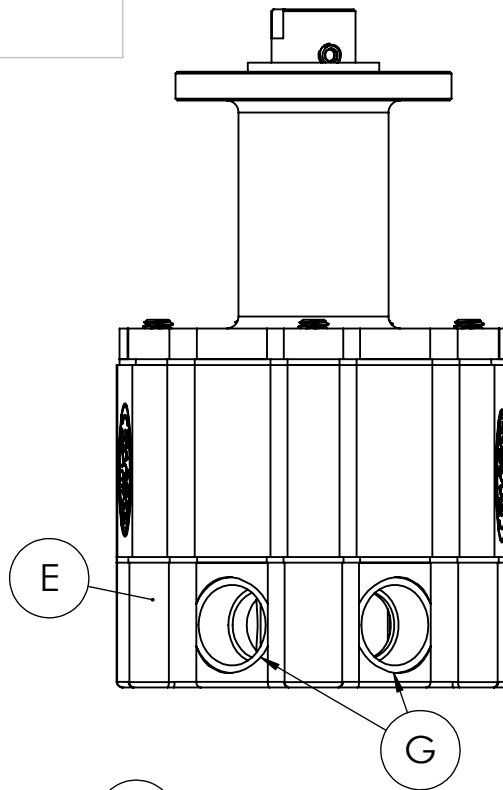


TITLE: RAM FORCE CAM DRIVEN SEA PUMP DIFFERENCES

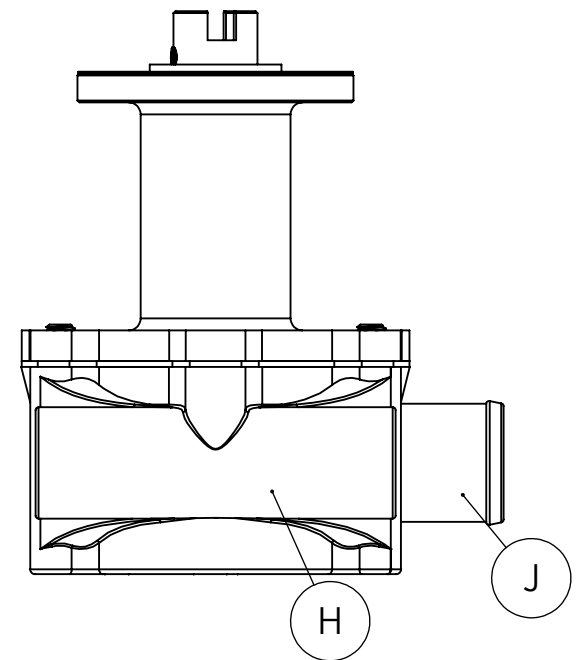
www.hardin-marine.com

GENERATION DIFFERENCES:

- 1) GENERATION 1 HAS HARDIN LOGO, FIG. A. GENERATION 2 SAYS RAM FORCE 2, FIG. B.
- 2) GENERATION 1 HAS 5 BOLT HOLES, FIG. C. GENERATION 2 HAS 4 BOLT HOLES, FIG. D.
- 3) GENERATION 1 PUMP HAS SEPERATE WATER INLET/OUTLET SECTION, FIG. E. THE WATER INLET IS ON THE STARBOARD SIDE, FIG. F. THE WATER OUTLETS COME OUT THE TOP, FIG. G
- 4) GENERATION 2 THE WATER INLET/OUTLETS ARE IN THE SAME HOUSING AS THE IMPELLER, FIG. H. THE WATER INLET IS ON THE PORT SIDE, FIG. J. THE WATER OUTLETS ARE HORIZONTAL AND EXITS TO THE SIDES, FIG.K.
- 5) YOU CAN UPGRADE YOUR EXISTING GENERATION 1 PUMP TO THE NEW STAINLESS GENERATION 2 HOUSING WITH 625-4235 UPGRADE KIT.



GENERATION 1



GENERATION 2