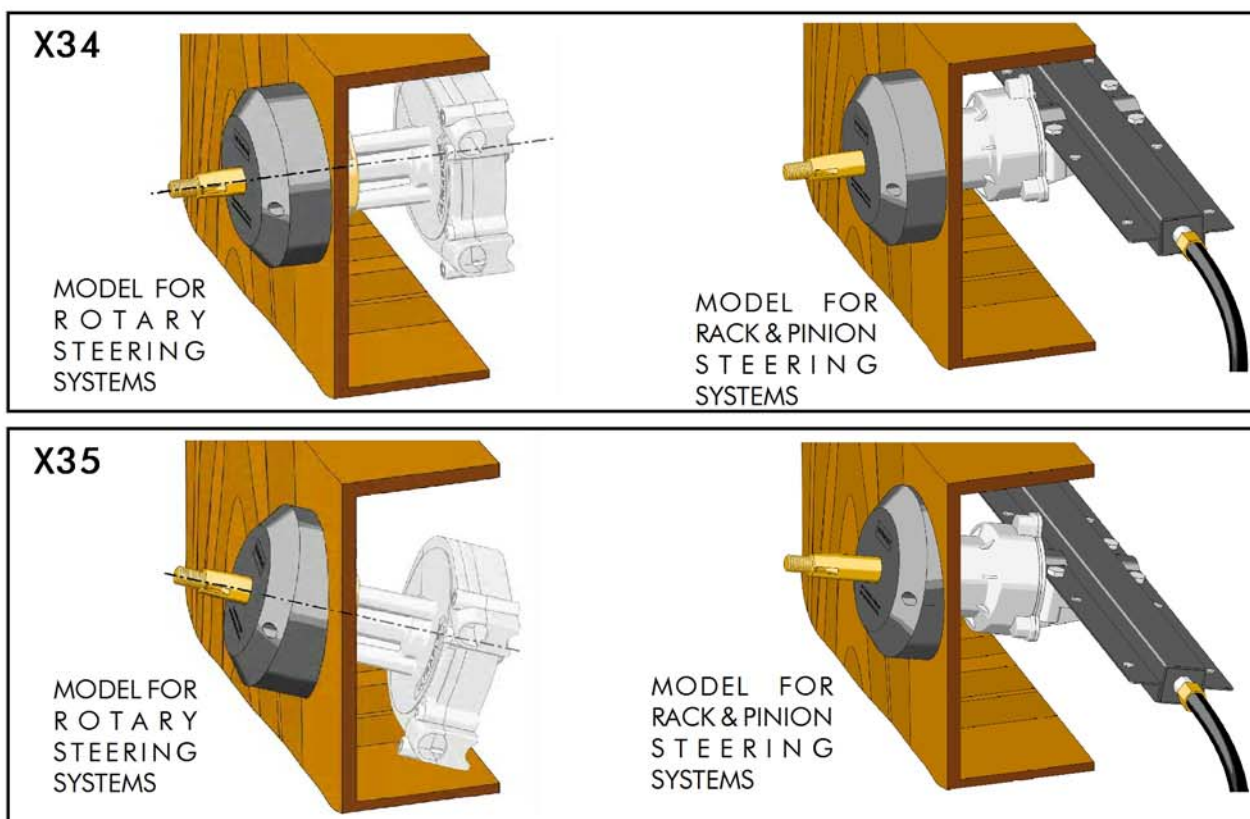


Installation instructions

X34 - X35

BEZEL KIT FOR STEERING SYSTEMS T71FC-T72FC-T73NRFC-T74NRFC-G86-G88



X34 is the 90° mounting bezel. The wheel is perpendicular to the boat dashboard; X35 is the 20° mounting bezel.

⚠ WARNING

THESE INSTRUCTIONS INCLUDE IMPORTANT SAFETY INFORMATION TO BE GIVEN TO THE BOAT OWNER.

CE

WFLUX



MEMBER
ABYC
Setting Standards for Safer Boating®



Dear Customer,

We would like to thank you for choosing an **ULTRAFLEX** SpA product.

ULTRAFLEX SpA has been a leader in steering systems for pleasure and professional boats for many years.

All **ULTRAFLEX** SpA products are designed and manufactured to ensure the best performance. To ensure your safety and to maintain a high quality level, **ULTRAFLEX** SpA products are guaranteed only if they are used with original spare parts (see attached document "Application Spare Parts").

ULTRAFLEX SpA and Quality Management System is certified CISQ-IQNet by the Italian Shipping Registry (RINA), in conformity with the UNI EN ISO 9001:2000 rule. **ULTRAFLEX** SpA certification No. 6669/02/S (former 420/96).

The quality management system involves all the company resources and processes starting from the design, in order to:

- ensure product quality to the customer;
- maintain and improve the quality standards constantly;
- pursue a continuous process improvement to meet the market needs and to increase the customer satisfaction;
- constantly test the products to verify their conformity with the 94/25/CE, ISO 10592 and ABYC (American Boat and Yacht Council) requirements.



"Established in 1989 **UFLEX** USA is a leader in steering and control systems for the marine industry. With full manufacturing capabilities in Sarasota, Florida, **UFLEX** USA can support all sectors of the marine industry regardless of volume and/or product requirements. And, as an affiliate of the **ULTRAFLEX** Group, **UFLEX** USA has tremendous resources to draw upon for new product development in hydraulics, electronics and many other technologies.

Innovative product design and unparalleled dedication to quality customer service and products continue to be cornerstone of **UFLEX** USA's growth. Today our products can be found as originally installed equipment on many of the most widely known and respected boat brands in the world. Aftermarket parts can be sourced from trained and experienced distributor network throughout North and South America.

Our dedication to providing the highest quality products and service is only matched by our commitment to developing new products employing the latest materials and technology to enhance our customer's boating experience. From steering wheels to sophisticated electronic controls, **UFLEX** USA has everything you need to make sure that your boat looks and perform it's best for many, many years."

TABLE OF CONTENTS

USE OF THE MANUAL AND SYMBOLS USED.....	3
INTRODUCTION.....	3
WARRANTY.....	4

SECTION 1 - INSTALLATION

1.1 NECESSARY TOOLS.....	4
1.2 PACKAGING CONTENTS.....	4
1.3 STEERING SYSTEM POSITIONING.....	5
1.4 CONNECTION OF THE CABLE TO THE STEERING SYSTEM.....	7

SECTION 2 - DISMANTLING










2.1 DISMANTLING.....	7
----------------------	---

UFLEX USA

Sarasota, FL 34243 - 6442 Parkland Drive

USE OF THE MANUAL AND SYMBOLS USED

THE INSTALLATION AND MAINTENANCE MANUAL is the document accompanying the product from its sale to its replacement and discharge. The manual is an important part of the product itself. It is necessary to read carefully the manual, before ANY ACTIVITY involving the product, handling and unloading included. In this manual the following symbols are used to ensure the user safety and to guarantee the correct operation of the product:

 DANGER		Immediate hazards which CAUSE severe personal injury or death.
 WARNING		Hazards or unsafe practices which COULD CAUSE severe personal injury or death.
 CAUTION		Hazards or unsafe practices which COULD CAUSE minor injury or product or property damage.
NOTICE		Important information for the correct installation and for maintenance, that does not cause any damage.
		The symbol aside indicates all the operations which must be carried out by qualified or skilled staff, in order to avoid hazards. We recommend training the staff in charge of the product installation and checking their knowledge.

INTRODUCTION

This installation and maintenance manual represents an important part of the product and must be available to the people in charge of its use and maintenance.

The user must know the content of this manual.

UFLEX USA declines all responsibility for possible mistakes in this manual due to printing errors.

Apart from the essential features of the described product, **UFLEX USA** reserves the right to make those modifications, such as descriptions, details and illustrations, that are considered to be suitable for its improvement, or for design or sales requirements, at any moment and without being obliged to update this publication.

ALL RIGHTS ARE RESERVED. Publishing rights, trademarks, part numbers and photographs of **UFLEX USA** products contained in this manual are **UFLEX USA** property.

Great care has been taken in collecting and checking the documentation contained in this manual to make it as complete and comprehensible as possible. Nothing contained in this manual can be interpreted as warranty either expressed or implied - including, not in a restricted way, the suitability warranty for any special purpose. Nothing contained in this manual can be interpreted as a modification or confirmation of the terms of any purchase contract.

 **WARNING**

To ensure the correct product and component operation, the product must be installed by qualified staff. In case of part damage or malfunction, please contact the qualified staff or our Technical Assistance Service.

TECHNICAL ASSISTANCE SERVICE

North - South - Central America:

UFLEX USA
 6442 Parkland Drive
 Sarasota, FL 34243
 Tel: +1.941.351.2628
 Fax: +1.941.360.9171
 Email: uflex@uflexusa.com
www.uflexusa.com

UFLEX S.r.l.

Via Milite Ignoto,8A
 16012 Busalla (GE)-Italy
 Tel: +39.010.962.0239 (Italy)
 Tel: +39.010.962.0244 (abroad)
 Fax: +39.010.962.0333
 Email: ut@uflexgroup.it
www.uflexgroup.it



WARRANTY

1. **Two Year Limited Warranty.** **UFLEX USA, Inc.** warrants that all products manufactured by **UFLEX USA, Inc.** or **ULTRAFLEX S.p.A.** and sold by **UFLEX USA** to the retail purchaser ("Purchaser") that for two (2) years after the date of manufacture to be free from defects due to material or workmanship, subject to the exclusions below. Improper installation **VOIDS** this warranty. Installation should only be attempted by a trained and qualified technician.
2. **Exclusions.** This limited warranty does not cover and does not extend to any of the following:
 - (a) Failure caused by normal wear and tear, climatic conditions, misuse, neglect, lack of proper maintenance, accident, fire or other casualty damage, racing, overloading, negligence, modification, beaching or grounding of vessel, collision, impact, towing, acts of war or hostilities;
 - (b) components not manufactured by **UFLEX USA, Inc.**, or its affiliates;
 - (c) cost of removal or reinstallation of any component (including components manufactured by **UFLEX USA, Inc.**) or disassembly or reassembly of the unit containing the component;
 - (d) components not manufactured by **UFLEX USA, Inc.** or **ULTRAFLEX S.p.A.**, whether or not warranted by the other manufacturer;
 - (e) any product which has not been properly installed.
3. **Limitations.** THE REPAIR OR REPLACEMENT OF DEFECTIVE PARTS SHALL BE PURCHASER'S SOLE AND EXCLUSIVE REMEDY AND **UFLEX USA, INC.'S** SOLE AND EXCLUSIVE LIABILITY UNDER THIS WARRANTY. LABOR FOR REPLACEMENT IS NOT INCLUDED. **UFLEX USA, Inc.'s** obligation under this warranty is limited to the repair or replacement (at **UFLEX USA, Inc.'s** sole election) of any covered item found to be defective, when delivered by Purchaser pursuant to written authorization and instructions from **UFLEX USA, Inc.**, shipping prepaid to **UFLEX USA, Inc.'s** plant or other designated repair facility. Repaired or replaced items are warranted as provided herein for the unexpired portion of the applicable warranty period. THIS WARRANTY, AND THE RIGHTS AND REMEDIES UNDER IT, IS EXCLUSIVE AND IS GIVEN IN PLACE OF ALL OTHER WARRANTIES, WHETHER EXPRESS OR IMPLIED, INCLUDING ANY IMPLIED WARRANTY OF MERCHANTABILITY OR FITNESS FOR PARTICULAR PURPOSE, WHETHER ARISING BY LAW, CUSTOM, CONDUCT OR USAGE OF TRADE. PURCHASER'S REMEDIES SHALL BE LIMITED AS STATED HEREIN AND **UFLEX USA, INC.** SHALL NOT BE LIABLE FOR ANY INCIDENTAL, CONSEQUENTIAL OR INDIRECT DAMAGES OR LOSSES RESULTING FROM DEFECTS. THE RETAIL SELLER IS NOT A CO-WARRANTOR AND IS NOT AUTHORIZED BY **UFLEX USA, INC.** TO AMEND OR MODIFY THIS LIMITED WARRANTY IN ANY MANNER.
4. **Transferability of Warranty.** This limited warranty may not be transferred to subsequent purchasers.
5. **Miscellaneous.** **UFLEX USA, Inc.** is an affiliate of **ULTRAFLEX S.p.A.** **UFLEX, USA, Inc.**, reserves the right to make changes in the design and construction of its products at any time, without notice and without any obligation to incorporate such changes into products of prior manufacture. This limited warranty applies to new components sold by **UFLEX USA, Inc.**. This limited warranty contains the entire agreements between **UFLEX USA, Inc.** and Purchaser and supersedes all prior agreements, discussions, negotiations, commitments and representations, whether oral or written, between them regarding **UFLEX USA, Inc.'s** warranty. If any provision of this limited warranty, or the application of it, is determined to be invalid or unenforceable for any reason, the remainder of this limited warranty and the application of it shall not be affected.
6. **Ultron 3000 and PowerC.** The Ultron 3000 and "PowerC - User and Installation Manual" describes activities, operations, technical specifications which must be followed during the installation and/or usage of the product, in order to keep a valid warranty. Descriptions and drawings in that manual are suitable to allow installation and use of the product to skilled persons. In case of doubt and/or for any information, please contact our Technical Service.

All communications and notices from Purchaser regarding this limited warranty should be sent to: **UFLEX USA, INC.**, 6442 Parkland Drive, Sarasota, FL 34243; (941) 351-2628.



Return policy

Any product that is presumed defective should be reported to **UFLEX USA** within 48 hours of receipt or discovery in the field. Upon notification **UFLEX USA** will attempt to troubleshoot the problem with our customer over the phone. If we are unable to resolve the problem **UFLEX** will issue a Return Goods Authorization number and we require that the product in question be returned to **UFLEX** with all its parts in its original packaging. The product should be returned freight prepaid to:

UFLEX USA
 RGA Department - RGA #
 6442 Parkland Drive
 Sarasota, Florida 34243

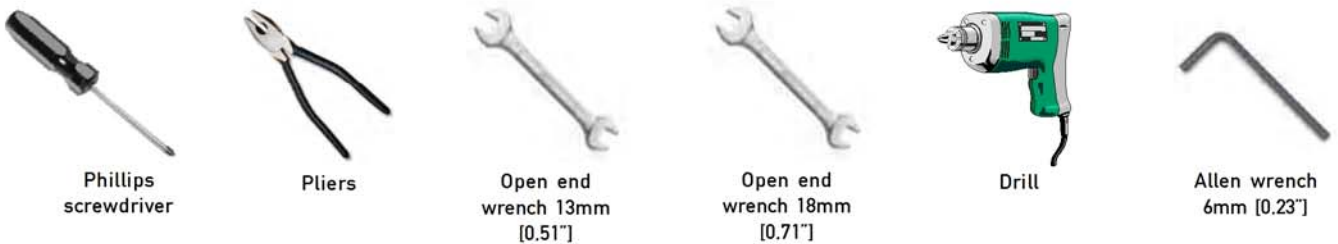
Upon receipt **UFLEX** will examine the product to determine the cause of the defect. If the product is determined to have a defect in workmanship or material, it will be repaired at our discretion.

Our warranty does not cover labor, towing or other expenses. Further, it does not cover products that have been improperly installed, damaged in installation, misapplied, or misused.

Our products are not intended for use in racing applications.

1 INSTALLATION

1.1 Necessary tools



Phillips screwdriver

Pliers

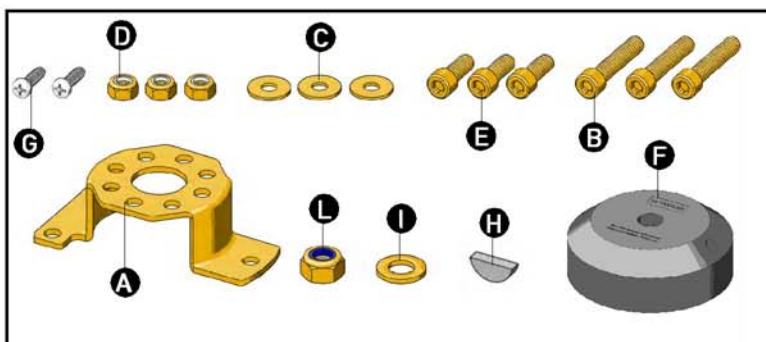
Open end wrench 13mm [0.51"]

Open end wrench 18mm [0.71"]

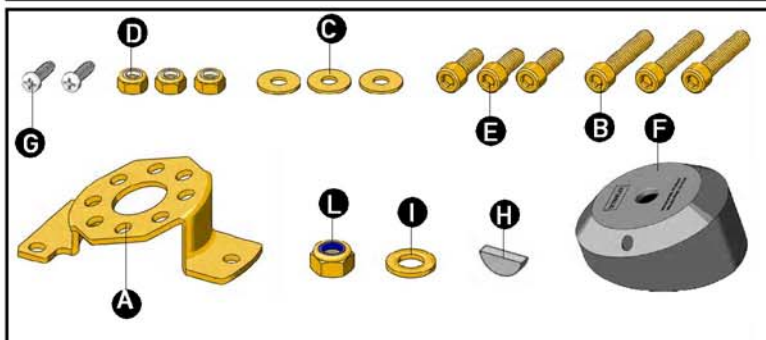
Drill

Allen wrench 6mm [0.23"]

1.2 Packaging contents



REF	X34
A	1 bracket
B	3 screws M8 x 45 UNI 5931
C	3 flat washers
D	3 nuts M8 UNI 5591
E	3 screws M8 x 20 UNI 5931
F	1 90° bezel
G	2 screws AB4, 8 x 19 UNI 6951
H	1 key
I	1 flat washer
L	1 nut M12



REF	X35
A	1 bracket
B	3 screws M8 x 45 UNI 5931
C	3 flat washers
D	3 nuts M8 UNI 5591
E	3 screws M8 x 20 UNI 5931
F	1 20° bezel
G	2 screws AB4, 8 x 19 UNI 6951
H	1 key
I	1 flat washer
L	1 nut M12



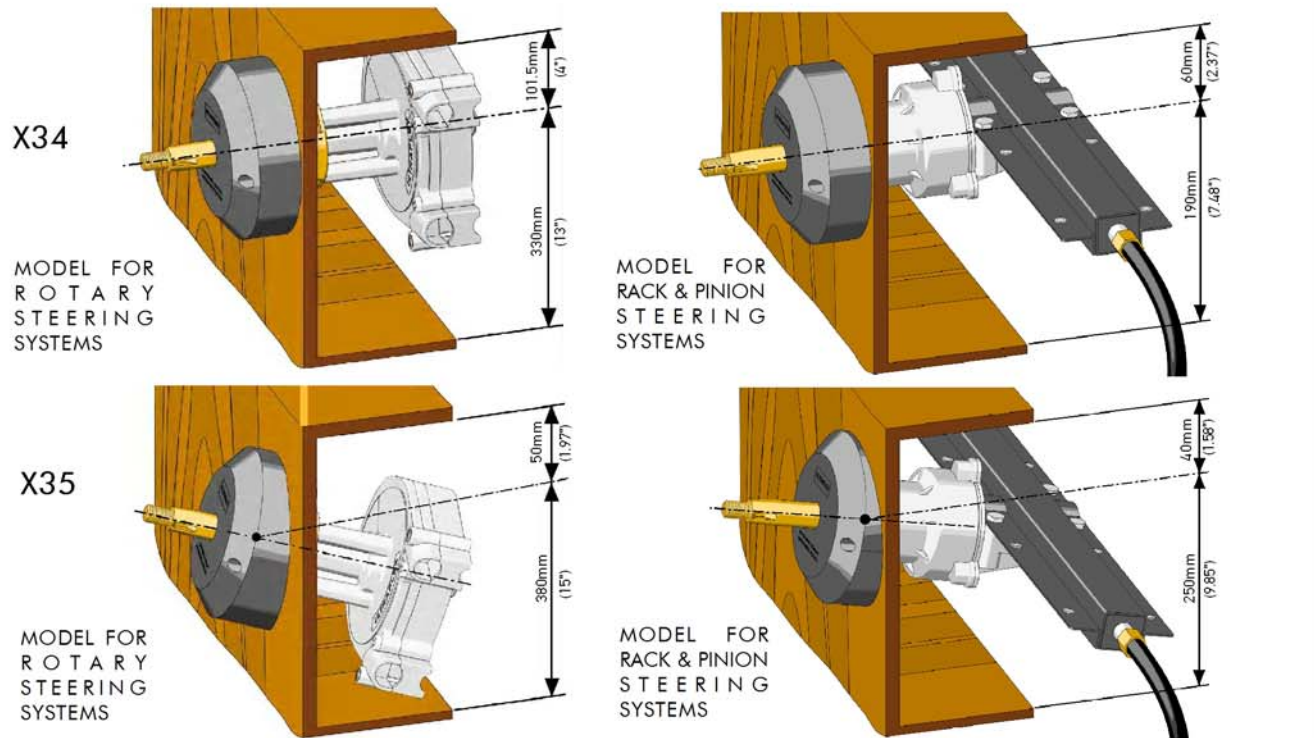
1.3 Steering system positioning

Refer to the steering system installation manual.

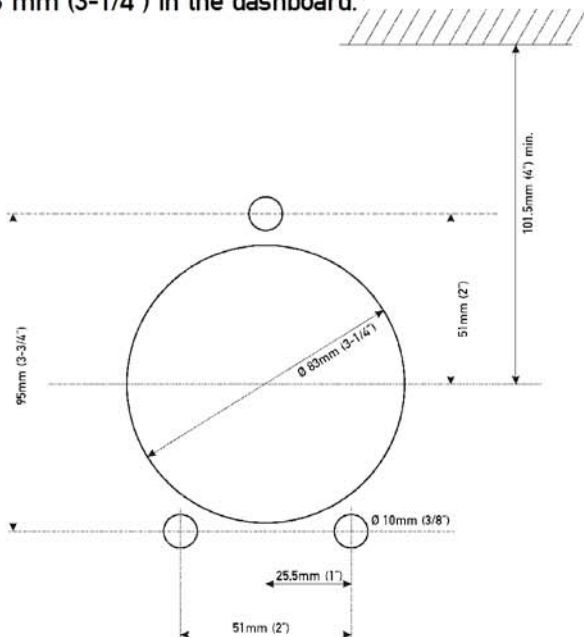
⚠ WARNING

The minimum bend radius for a steering cable is 200 mm (8"). A more severe bend will cause steering friction and reduce cable life.

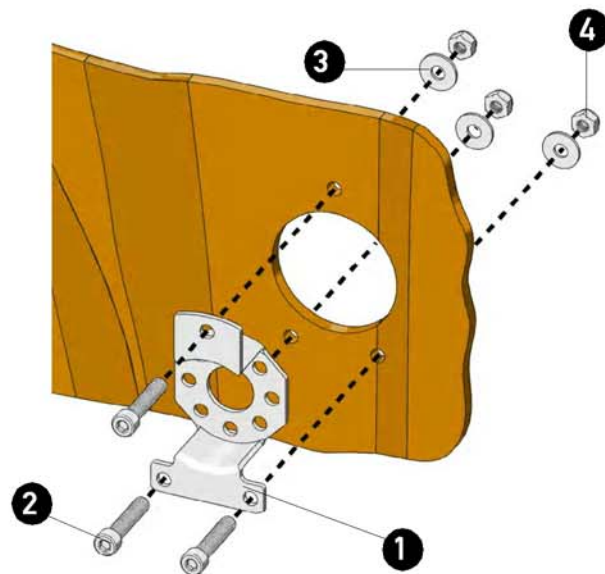
1 Make sure the distances between the centre of the shaft of the steering system and the bulkheads are equal or longer than those indicated in the picture.



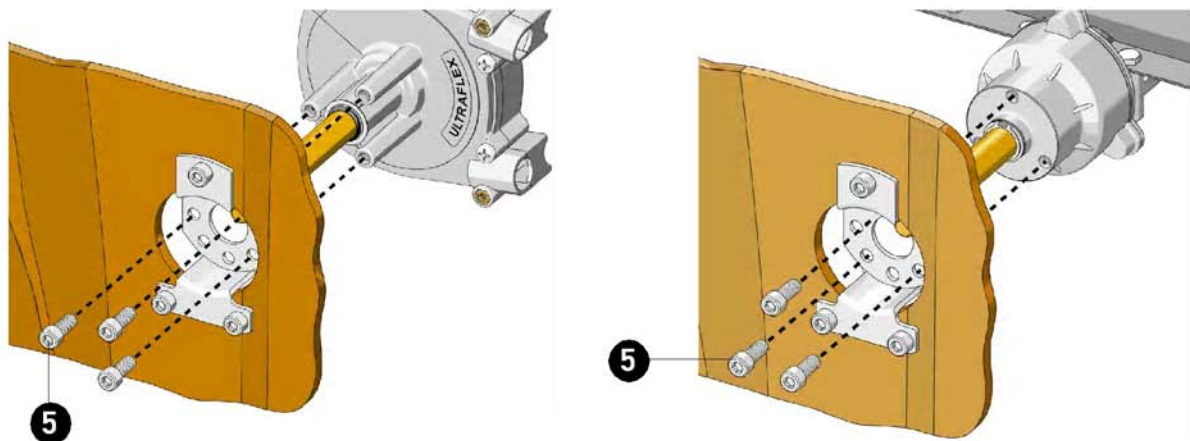
2 By using the supplied drilling template position the steering system in the chosen place and create 3 holes of diameter 10 mm (3/8") and one of diameter 83 mm (3-1/4") in the dashboard.



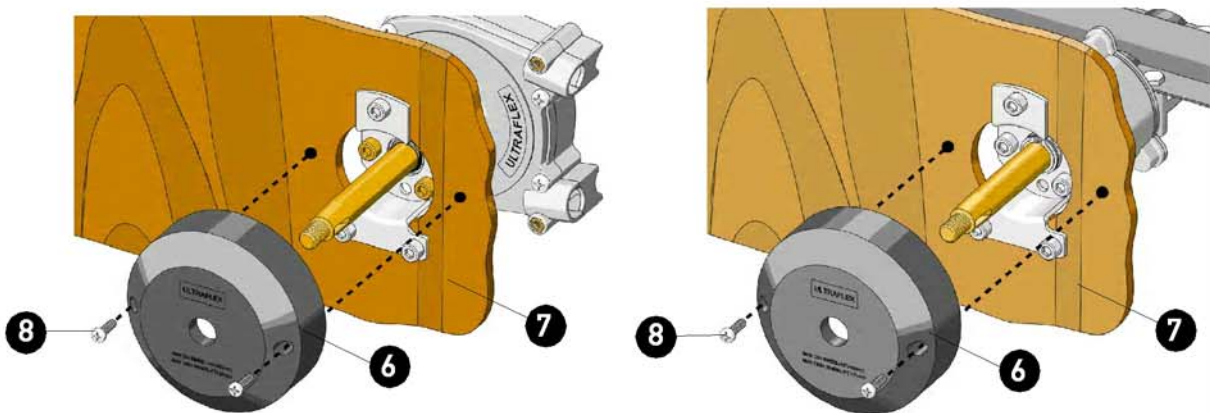
3 Tighten the bracket (1) to the dashboard using three screws M8x45 (2), three washers (3) and three self-locking nuts M8 (4) with torque of 15 Nm (11.07 lb-ft).



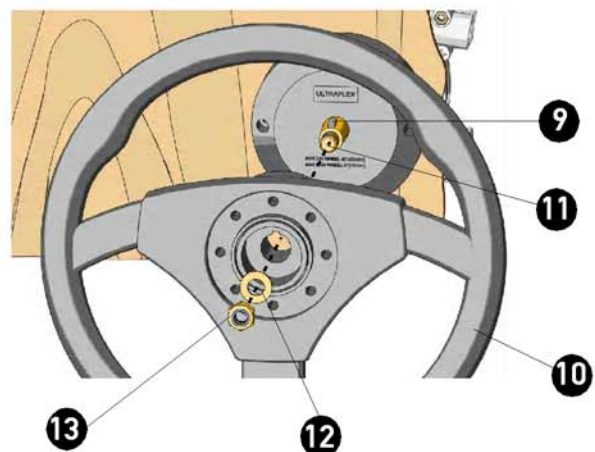
- 4** Insert the helm shaft from the back side of the dashboard through the hole of the mounting bracket.
 The helm can be fixed in 5 different positions (every 45°). The right position will be determined by the mounting side of the cable.
 Place the helm in the selected position and align the holes for mounting.
 Tighten the helm to the bracket with three screws M8x20 (5) with torque of 25 Nm (18.45 lb-ft).



- 5** Insert the bezel (6) until it touches the dashboard (7).
 Fix the bezel (6) to the dashboard (7) with two self-tapping screws (8).



- 6** Insert the steering wheel (10) on the helm shaft (11) aligning the recess of the hub with the key (9) of the shaft.
 Insert the washer (12) and screw the M12 nut (13) on the hub of the steering wheel with torque of 35-40 Nm (310-354 lbs in).



⚠ WARNING

Use X34 and X35 bezels only with **UFLEX** steering systems.
Do not use X34 and X35 bezel kits with T67 and T85 steering systems.

⚠ WARNING

Do not use a steering wheel with diameter wider than 380 mm (15") and with depth exceeding 127 mm (5") on rotary steering systems. Do not use a steering wheel with diameter wider than 420 mm (16.5") and with depth exceeding 127 mm (5") on rack & pinion steering systems.

1.4 Connection of the cable to the steering system



For the cable connection, see the steering system installation and maintenance manual.

2 DISMANTLING

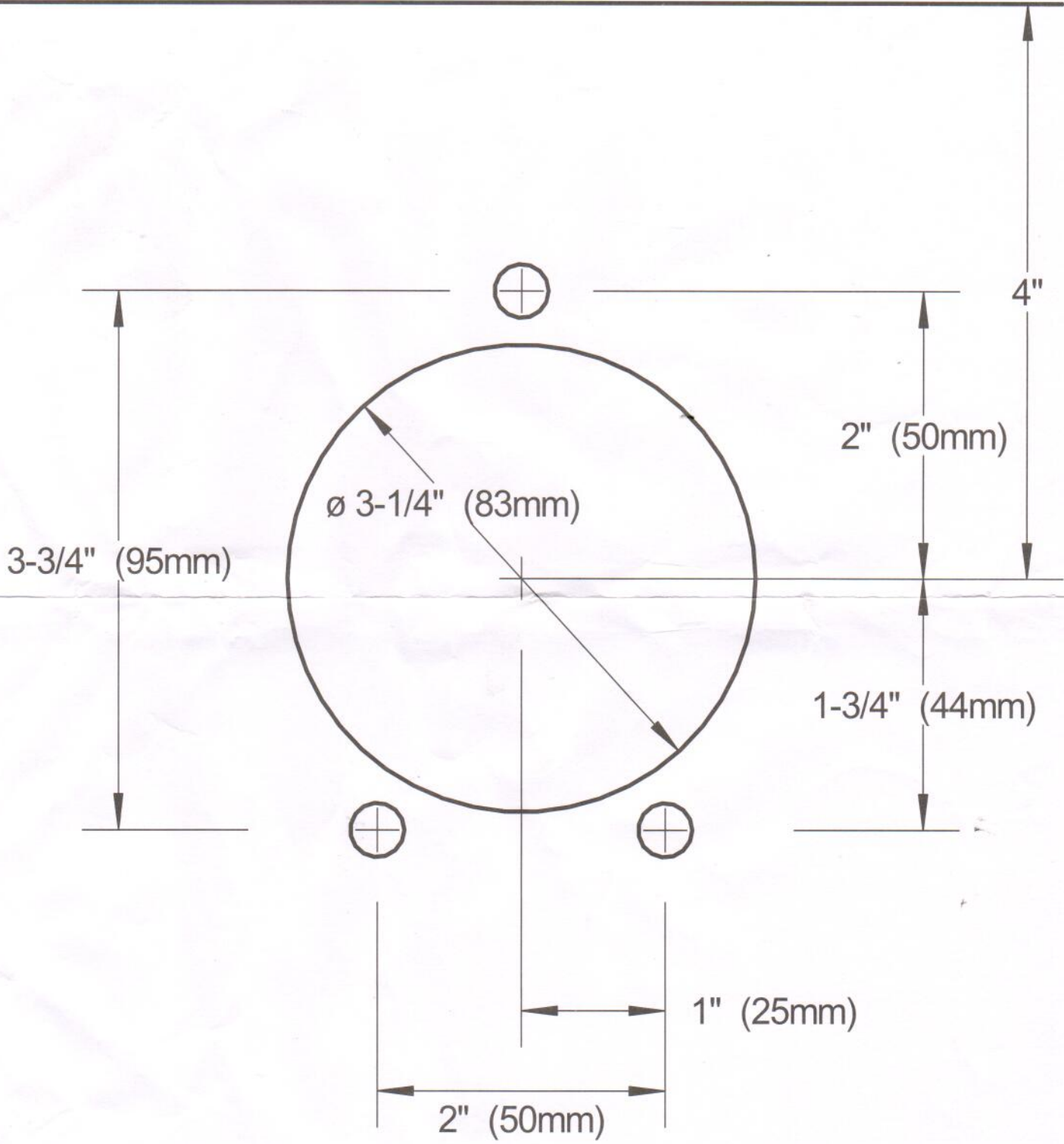
2.1 Dismantling

When for any reason, the system is put out of service, it is necessary to follow some rules in order to respect the environment.

Conduits, pipelines, plastic or non-metallic components must be disassembled and disposed of separately.



4" Minimum distance to the bottom side of the console



X34 & X35 Mounting Template