

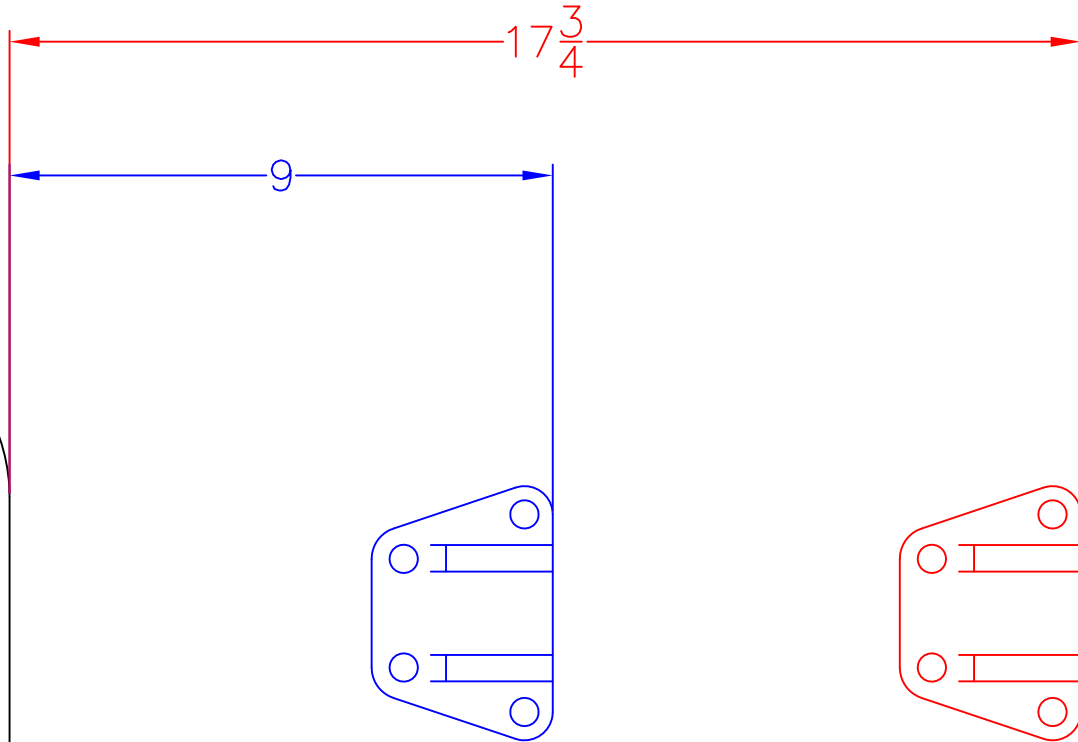
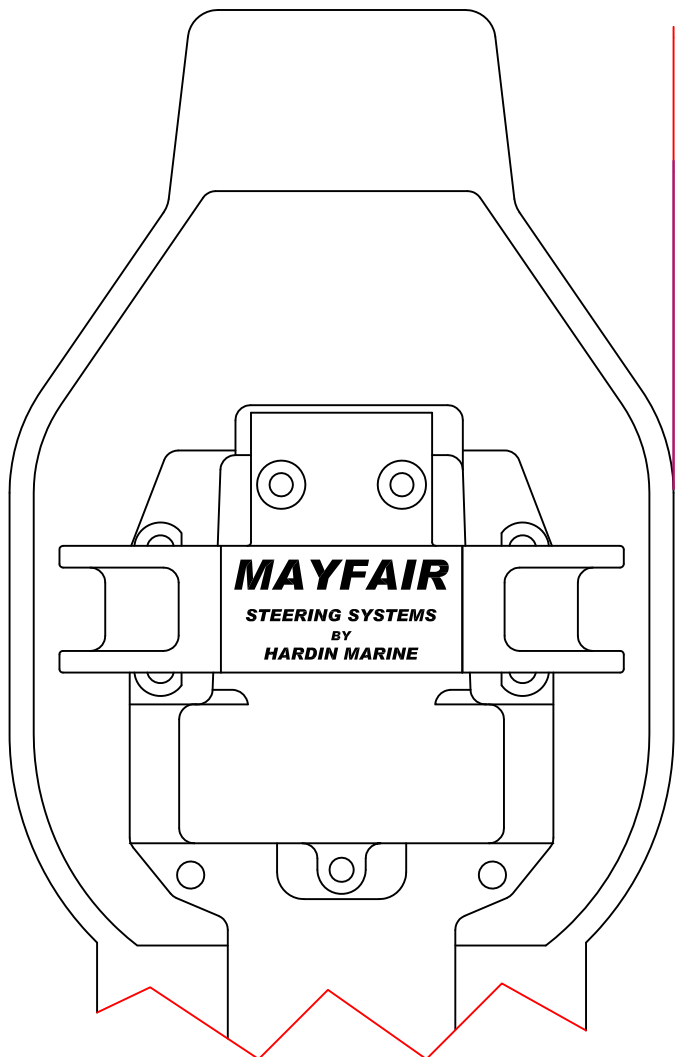
HARDIN MARINE

PART NUMBER: TRANSOM BRACKET

DESCRIPTION:
MAYFAIR MODULAR WING PLATE TRANSOM BRACKET MOUNTING
LOCATION

NOTE:

THIS PRINT IS TO SHOW THE DISTANCE THAT EACH TRANSOM BRACKET IS TO BE MOUNTED. USE THE TRANSOM BRACKET DRILL TEMPLATE & INSTALLATION INSTRUCTION SHEET THAT IS SUPPLIED IN THE STEERING RAM KIT FOR MOUNTING INSTRUCTIONS.



TRANSOM BRACKET
LOCATION FOR
137-9268 7"
STROKE RAM

TRANSOM BRACKET
LOCATION FOR
137-9259 9"
STROKE RAM