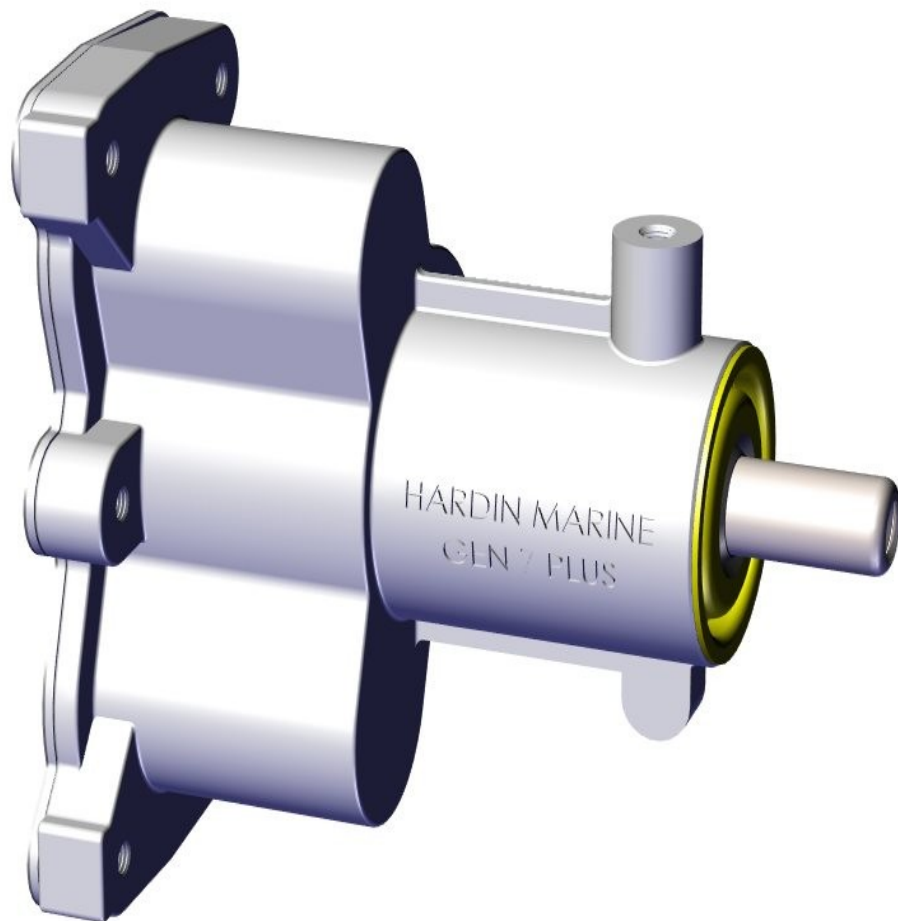


# GEN 7 PLUS SEA PUMP

625-4132

## REPLACEMENT REBUILD KITS



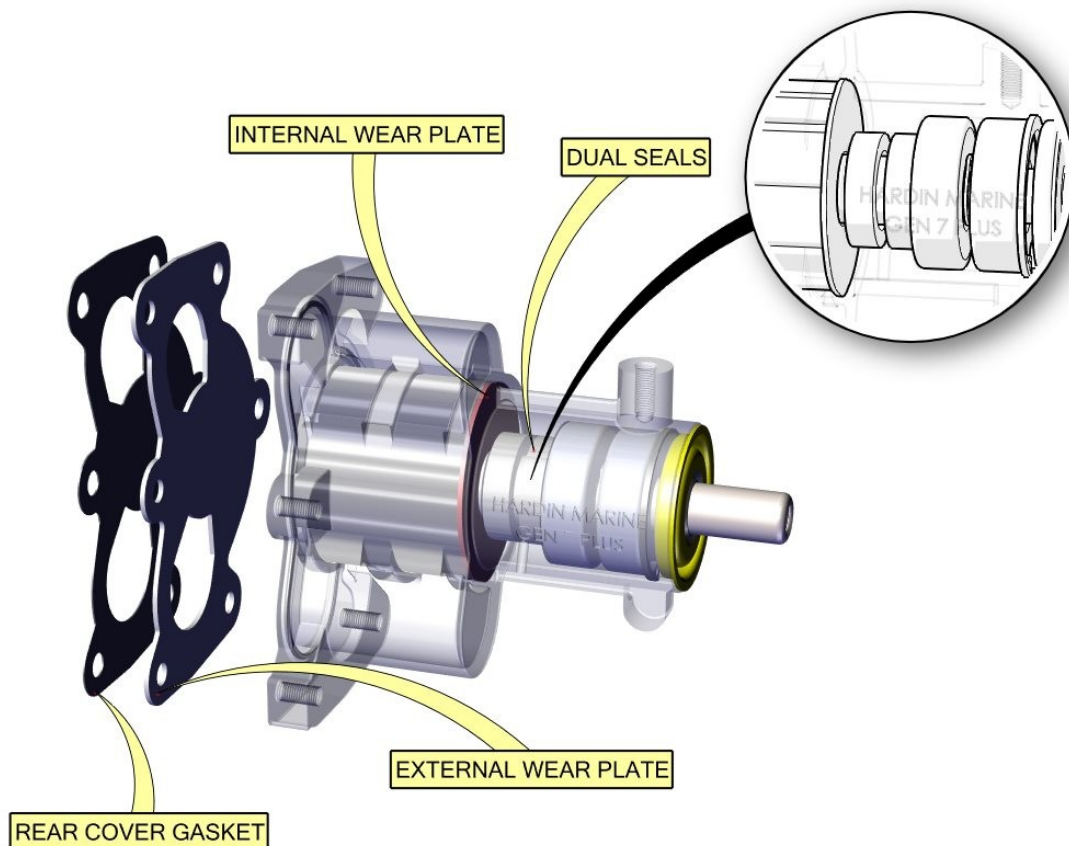
# GEN 7 PLUS SEA PUMP

625-4132

## REPLACEMENT REBUILD KITS

### HARDIN MARINE ADVANTAGE

- **316 STAINLESS STEEL POLISHED BODY.**
- **INTERNAL WEAR PLATE DESIGN PROVIDES A LIFETIME OF SERVICE.**
- **EXTERNAL WEAR PLATE ALLOWS STOCK REAR COVER TO BE REUSED REGARDLESS OF PREVIOUS WEAR DAMAGE.**
- **20% LARGER PUMP SHAFT ACCEPTS MOST POPULAR AFTERMARKET & MERCUISER IMPELLERS**
- **40% LARGER BEARINGS FOR INCREASED LONGEVITY.**
- **DUAL SHAFT SEALS WITH WATER WEEP HOLE.**



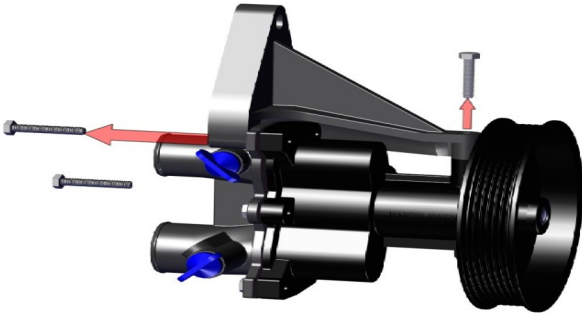
# GEN 7 PLUS SEA PUMP

625-4132

## REPLACEMENT REBUILD KITS

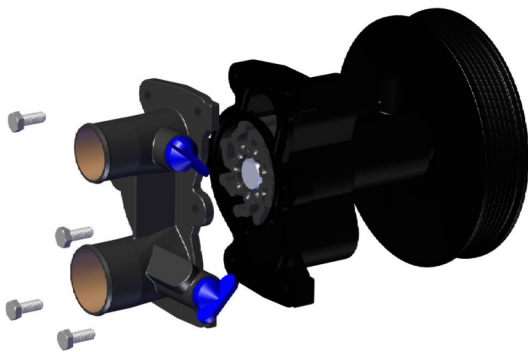
### Step 1

1. Remove the belt.
2. Remove both hoses from the pump.
3. Using a 10 mm socket, remove the 3 bolts as shown.



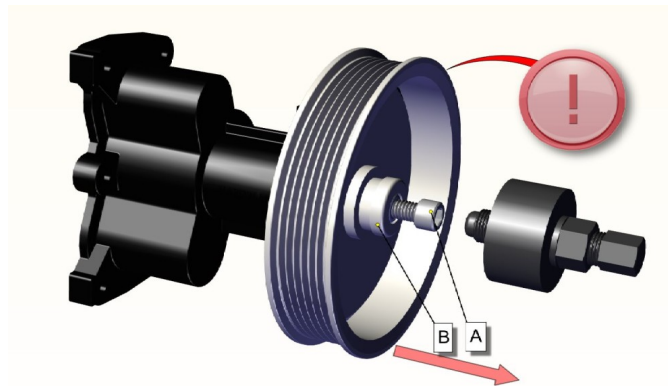
### Step 2

1. Using 10 mm socket remove the remaining 4 bolts as shown.
2. Save the rear cover.



### Step 3

1. Install 3/8-16 socket cap screw into the shaft, Fig A.
2. Using OTC-7185 remover. Attached to groove in the pulley, Fig B.
3. Never pull on the outside diameter of the pulley.'

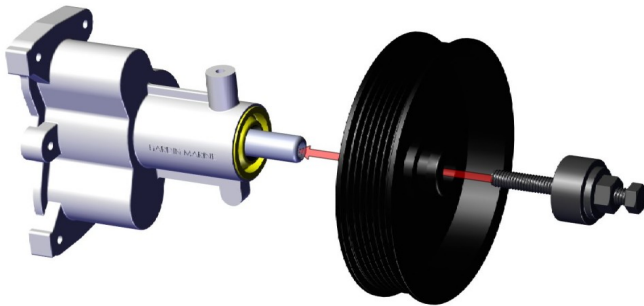


# GEN 7 PLUS SEA PUMP

625-4132

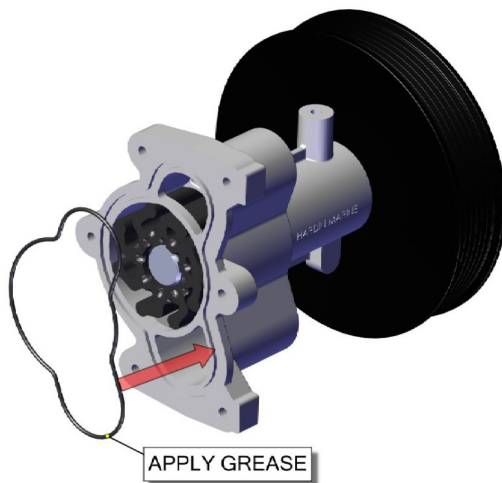
## REPLACEMENT REBUILD KITS

### Step 4



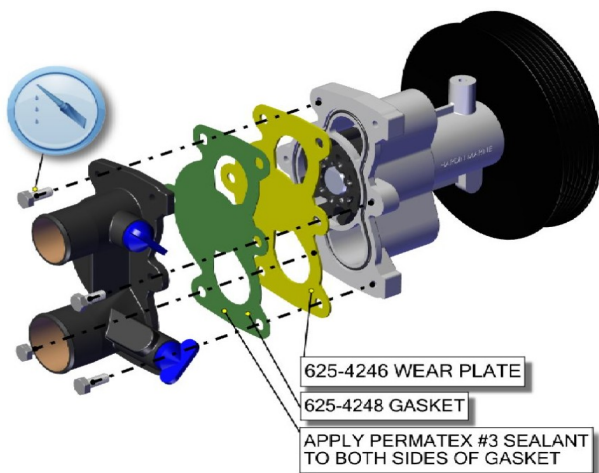
1. Screw OTC-7209 installer into the shaft.
2. Apply grease to the shaft.
3. Install pulley to the same position that it was installed on the stock pump.

### Step 5



1. Apply white lithium grease to the o-ring and install into the new pump housing groove.
2. Apply white lithium grease to the end of the impeller.

### Step 6

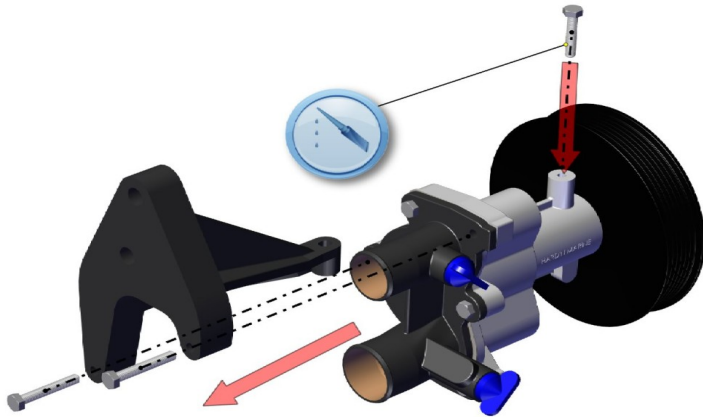


1. Apply Permatex #3 sealant to both sides of gasket, as shown.
2. Apply anti-sieze to the 4 rear cover bolts.
3. Install rear cover, gasket & wear plate as shown.
4. Lightly tighten the bolts.

# GEN 7 PLUS SEA PUMP

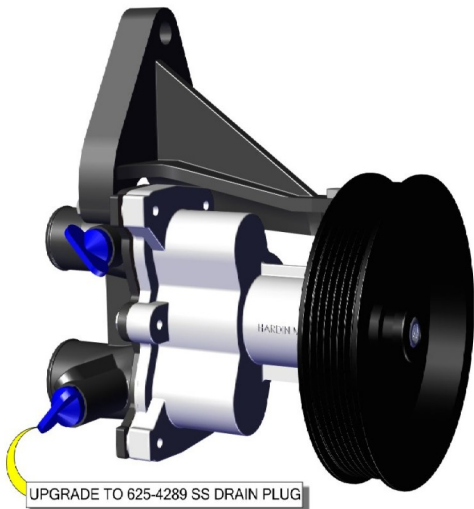
625-4132

## REPLACEMENT REBUILD KITS



### Step 7

1. Apply anti-sieze to the remaining 3 bolts.
2. Install pump as shown.
3. Torque all 7 bolts to 6 ft. lbs..



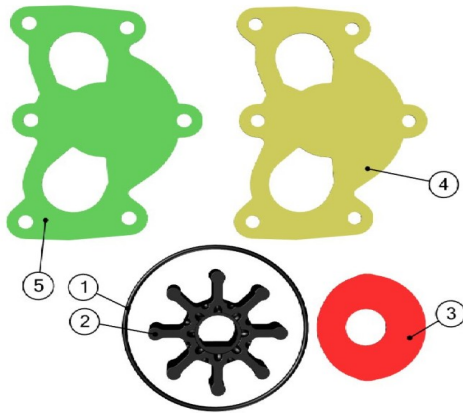
### Step 8

1. Attach hoses and belt. Check belt alignment.
2. As a preventive maintenance, replace the plastic Mercury drain plugs with Hardin stainless steel drain plugs.

# GEN 7 PLUS SEA PUMP

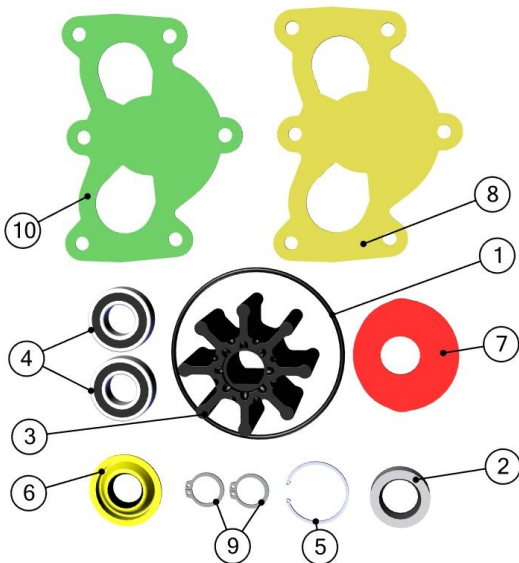
625-4132

## REPLACEMENT REBUILD KITS



625-4203 STANDARD REBUILD KIT

#	PART #	DESCRIPTION	QTY
1	625-1053	ORING	1
2	625-4011	IMPELLER	1
3	625-4245	WEAR PLATE-INT.	1
4	625-4246	WEAR PLATE-REAR	1
5	625-4248	GASKET	1



625-4133 MASTER REBUILD KIT

#	PART #	DESCRIPTION	QTY
1	625-1153	ORING	1
2	625-4005	SEAL	2
3	625-4011	IMPELLER	1
4	625-4302	BEARING	2
5	625-4305	SNAP RING	1
6	625-4304	SEAL	1
7	625-4245	WEAR PLATE-INT	1
8	625-4246	WEAR PLATE-REAR	1
9	625-4302	SNAP RING	2
10	625-4248	GASKET	1