



# GEN 8 SEA PUMP

625-4122



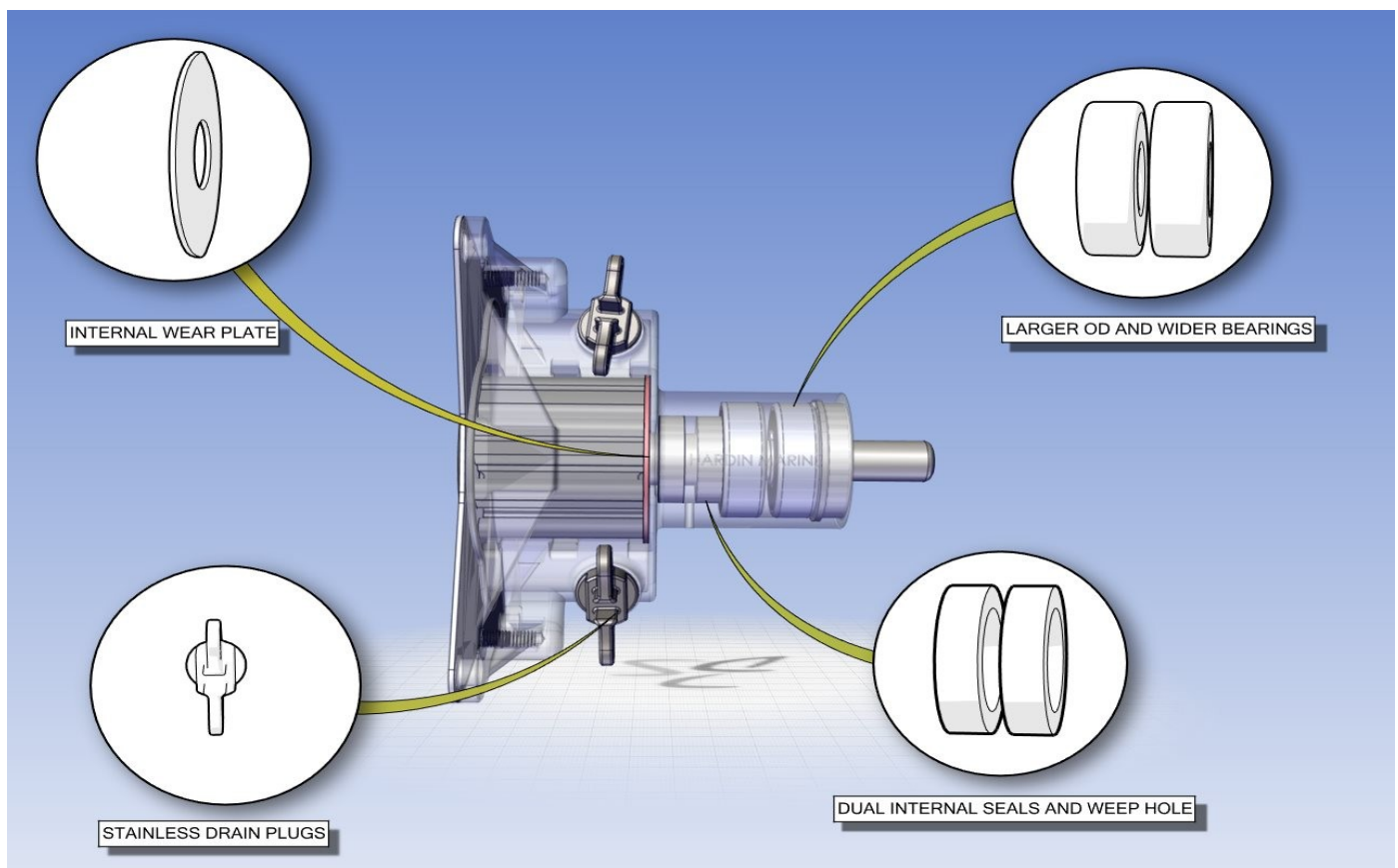


# GEN 8 SEA PUMP

625-4122

## HARDIN MARINE ADVANTAGE

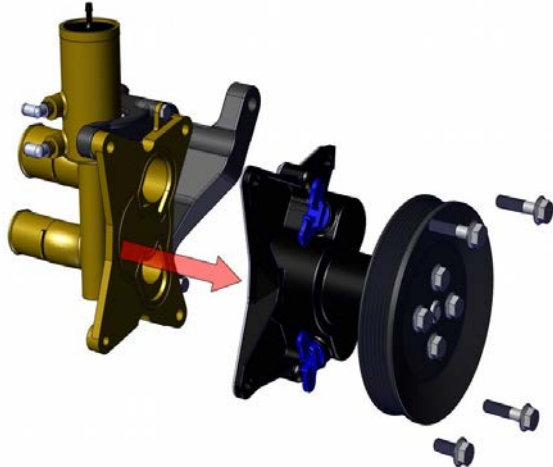
- **316 POLISHED STAINLESS HOUSING.**
- **INTERNAL WEAR PLATE MAKING PUMP LAST A LIFETIME.**
- **DUAL SEALS.**
- **LARGER BEARINGS INCREASES WORKING LOAD BY 40%.**
- **STAINLESS DRAIN PLUGS.**
- **LARGER SHAFT FOR D SHAPE MERCURY IMPELLERS.**





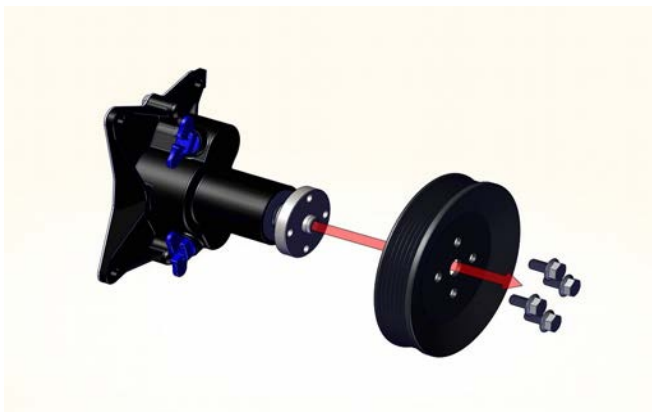
# GEN 8 SEA PUMP

625-4122



## Step 1

1. Remove belt.
2. Using a 10 mm socket, remove the 4 bolts as shown.
3. The rear housing will stay mounted to the bracket. No need to remove the hoses.
4. Look at the last page of these instructions. You need to look at the rear cover to see if you have Gen 1 or Gen 2 housing.



## Step 2

1. Using a 10 mm socket, remove the 4 bolts as shown.
2. You do not need to remove the hub.



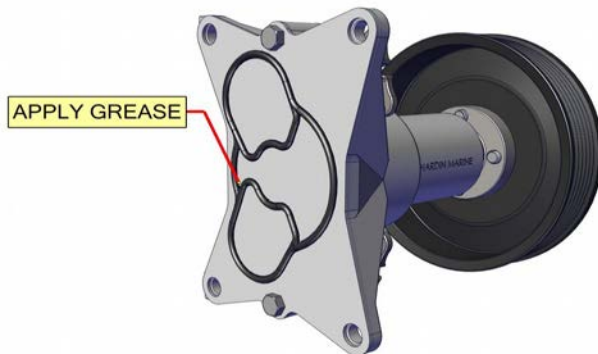
# GEN 8 SEA PUMP

625-4122



## Step 4

1. Slide pulley onto the shaft.
2. Apply blue loctite to the 4 bolts.
3. Use 10mm socket and torque to 17 ft. lbs..`



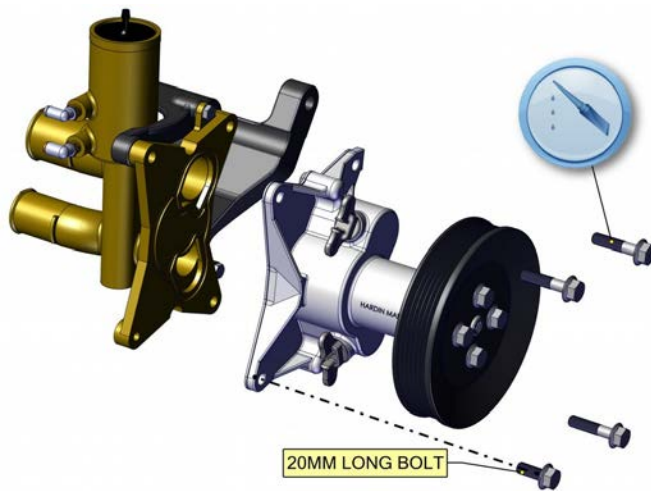
## Step 5

1. Apply white lithium grease to the molded o-ring on both sides.
2. Install rear plate to the pump, Gen 1 shown.
3. Apply blue loctite to the bolts.
4. Using 10 mm socket, torque to 17 ft. lbs..



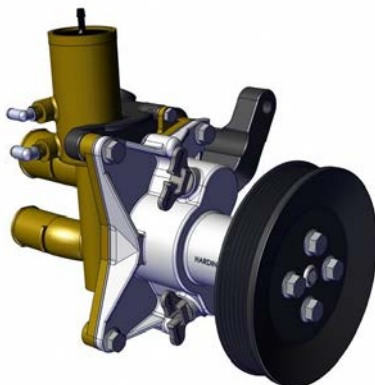
# GEN 8 SEA PUMP

625-4122



## Step 6

1. Make sure to install the 20mm long bolt in the pump as shown.
2. Apply blue loctite to the 4 bolts.
3. Use 10mm socket and torque bolts to 17 ft. lbs..



## Step 7

1. Check for proper belt alignment. If not aligned properly repeat steps 3 and 4 till pulley is aligned properly.
2. Installation is complete.

HARDIN  
MARINE

11 Industry Dr. Palm Coast, FL 32137  
386-445-2500 / FAX 386-445-1122

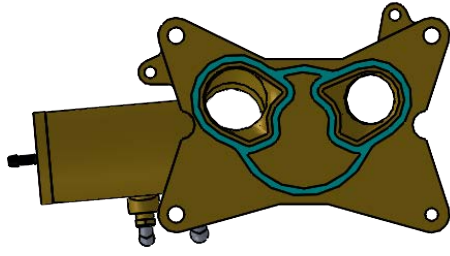
PART NO.

625-4122

TITLE:

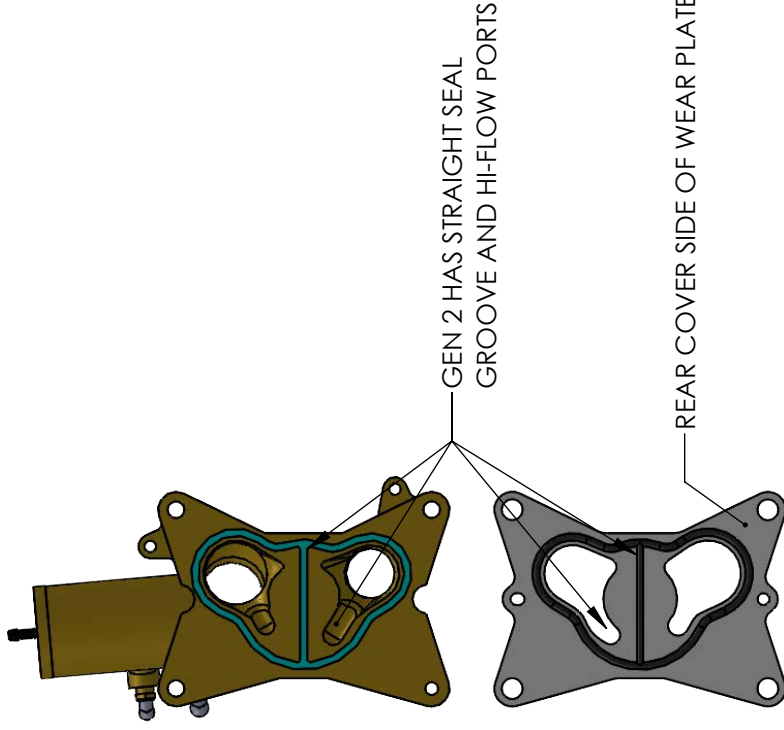
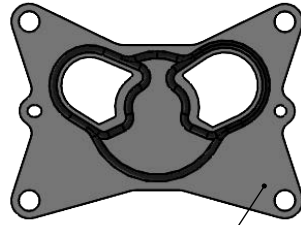
## GEN 8 REAR COVER DIFFERENCES

[www.hardin-marine.com](http://www.hardin-marine.com)



625-4306

REAR COVER SIDE OF WEAR PLATE



625-4310

REAR COVER SIDE OF WEAR PLATE

MODEL	SERIAL NUMBER
MERCURY 4.5L BRAVO MPI	2A531162 & BELOW
MERCURY 6.2L BRAVO MPI	2A531196 & BELOW
MERCURY 6.2L INBOARD MPI	2A530773 & BELOW
MERCURY 5.2L TOWSPORT MPI	2A531347 & BELOW

MODEL	SERIAL NUMBER
MERCURY 4.5L BRAVO MPI	2A531163 & ABOVE
MERCURY 6.2L BRAVO MPI	2A531197 & ABOVE
MERCURY 6.2L INBOARD MPI	2A530774 & ABOVE
MERCURY 6.2L TOWSPORT MPI	2A531348 & ABOVE

THIS DRAWING IS CONFIDENTIAL AND IS SUPPLIED ON EXPRESS CONDITION THAT IT SHALL NOT BE LENT, COPIED OR DISCLOSED TO ANY OTHER PERSON OR USED FOR ANY OTHER PURPOSE WITHOUT WRITTEN CONSENT OF HARDIN MARINE INC.. BREACH OF THIS CONTRACT WILL HOLD ..... AND IT'S PRINCIPALS LIABLE FOR LOSS AND DAMAGES.