



SINGLE HANDLE N-CONTROL

620-60220

The 620-60220 N-Control shifter is designed as a single lever single function control for shifting of the forward and reverse gears only. It is not intended in any way to be used for the operation of the throttle functions.

Shifter Mounting

To start the installation determine the location for the shifter taking care that you will have room for the full movement of the lever in all directions.

The installation in a new application is made by drilling a 3 3/8" hole with a hole saw in the side panel.



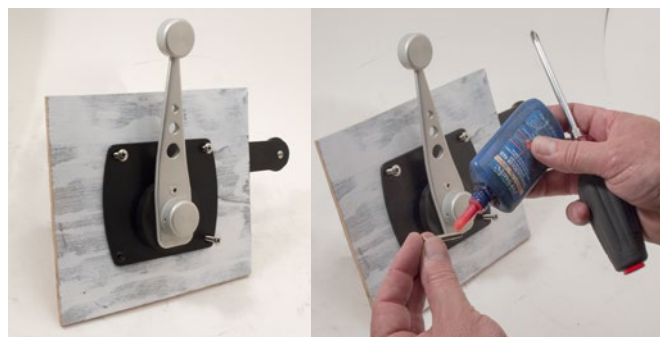
Remove the rear retaining plate from the shifter and then slide the shifter thru the hole until flush on the panel.



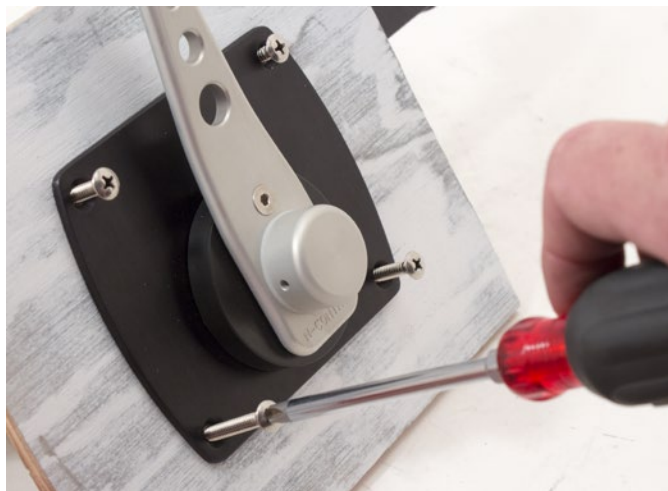
After making sure the plate is straight and level mark the 4 holes thru the outer plate and drill using a 1/4" drill bit.



Now slide the rear retaining plate on the back side of the panel and install using the 4 counter sunk screws removed in a previous step. Tighten until the shifters inner and outer plates are pulled tight to the panel.



(Note: Use loctite on these screws to prevent them from coming loose in operation)



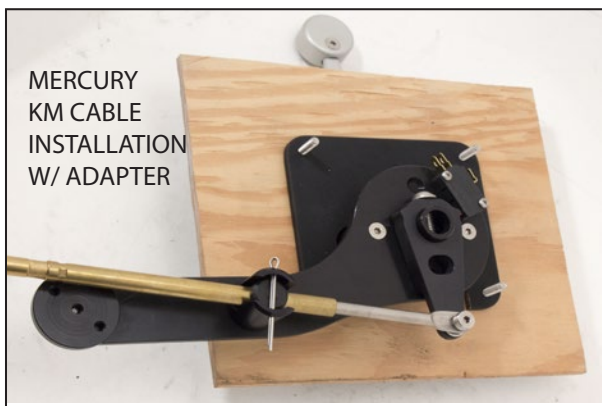


SINGLE HANDLE N-CONTROL

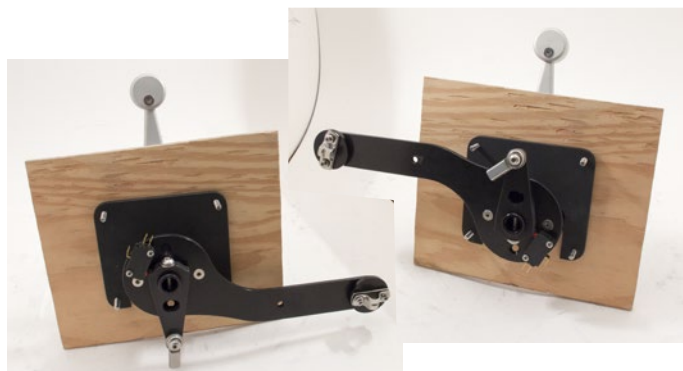
620-60220

Cable Mounting

The cable can be installed before or after the shifter has been mounted depending on the amount of room available in the desired mounting location. The N-Control shifter will work with the standard 33c style cable or the Mercury Gen II cables as purchased. If you are using the older KM cable then you must purchase the 620-60210 adapter separately that allows this cable to mount to the bracket.



The cable can enter from the rear, front, or the bottom of the shifter and push or pull the cable from these installation points. See pictures below. (Note: Use loctite on all mounting screws to prevent them from coming loose during operation)

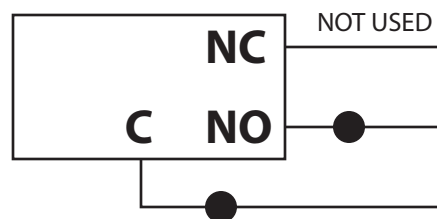


The 33c cable will use the rod end attached to the shift arm and the clamp on the pivot disc then just adjust as needed for smooth gear operation.

The Mercury II cables attach to the shift arm using the provided shoulder bolt and washer and the clamp on the pivot disc. Adjust as needed for smooth gear operation.



Neutral Safety Switch



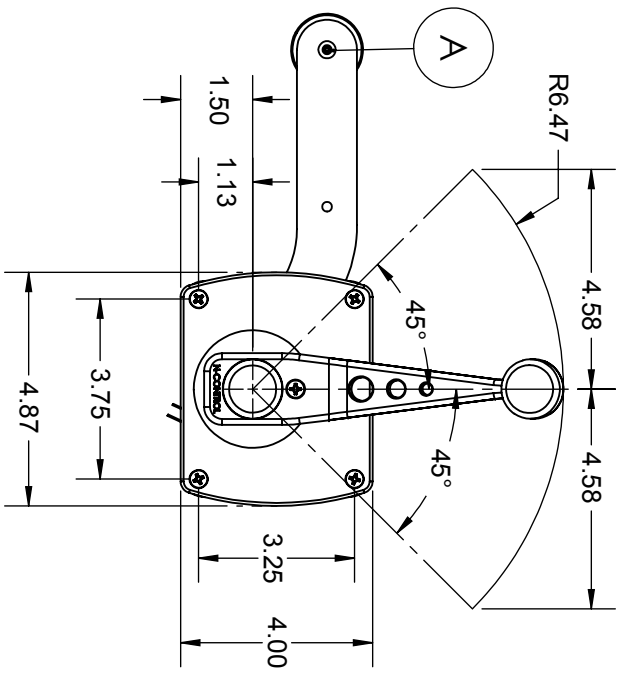
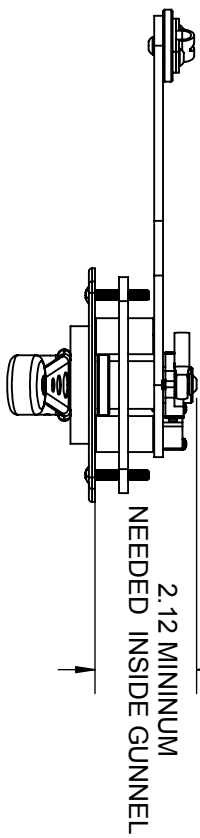
HARDIN 11 Industry Dr. Palm Coast, FL 32137
MARINE 386-445-2500 / FAX 386-445-1122

PART NO.
620-60220

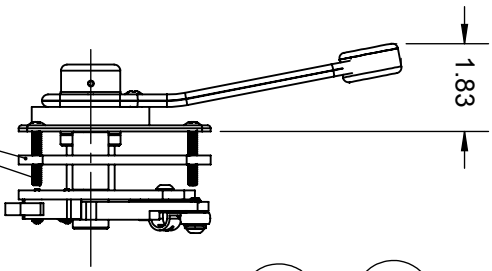
TITLE:

SINGLE LEVER N-CONTROL

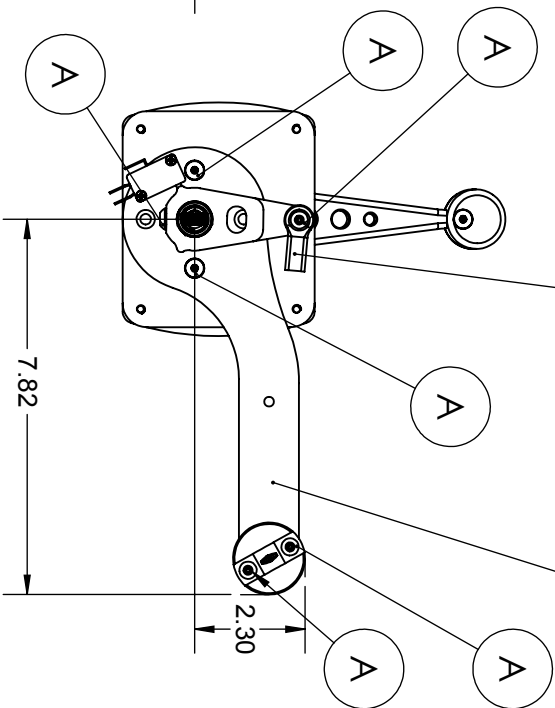
www.hardin-marine.com



SUPPLIED WITH (4) 10-24 X 1-1/4 MOUNTING
SCREWS AND BACKING PLATE



SUPPLIED WITH 151-
09380 33C ROD END



BRACKET CAN BE ROTATED EVERY
90°. MAKE SURE TO LOCITE ALL
BOLTS REFERENCED BY FIGURE A.

HARDIN 11 Industry Dr. Palm Coast, FL 32137
MARINE 386-445-2500 / FAX 386-445-1122

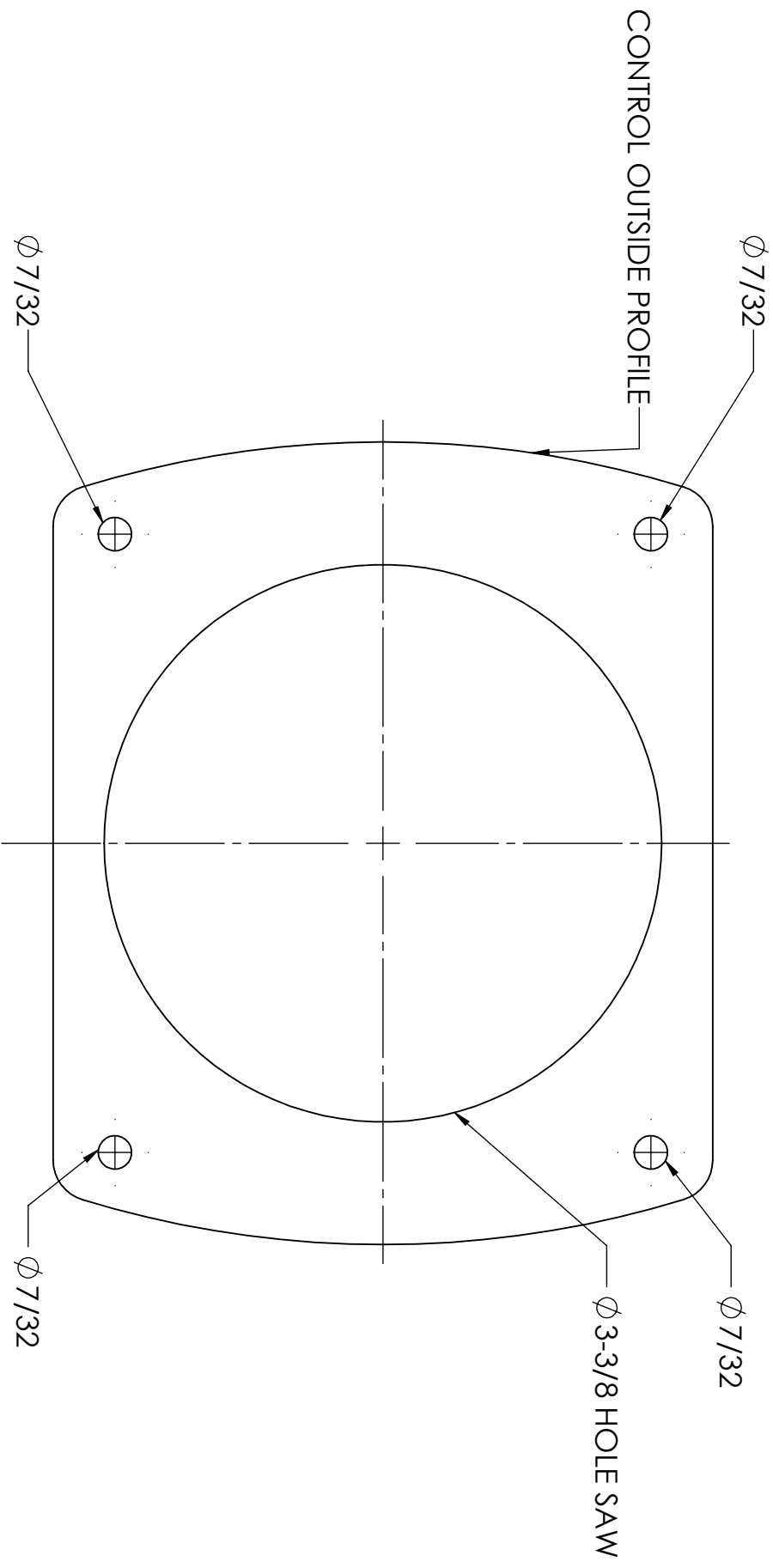
PART NO. 620-602220

TITLE: SINGLE LEVER SIDE MOUNT CONTROL
CUTOUT TEMPLATE

www.hardin-marine.com

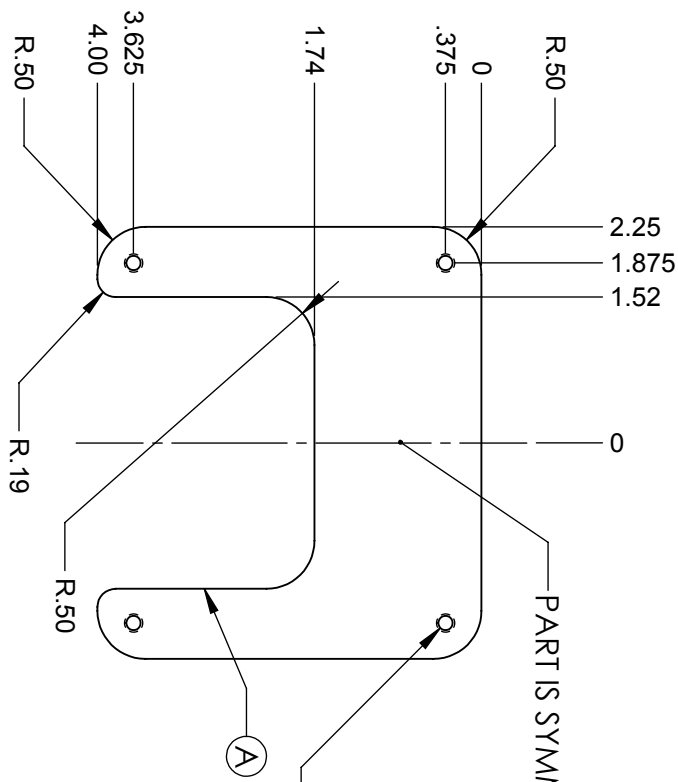
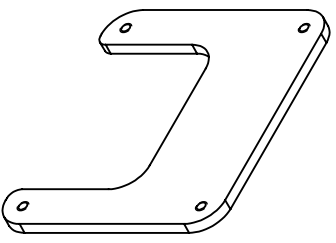
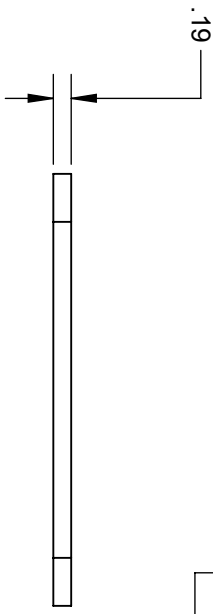
TEMPLATE USAGE:

- 1) TAPE TEMPLATE TO MOUNTING POSITION. USE THE OUTSIDE PROFILE TO INSURE CONTROL HAS FLAT MOUNTING SURFACE.
- 2) DRILL OUT CENTER HOLE WITH A ϕ 3-3/4 HOLE SAW.
- 3) DRILL THE (4) ϕ 7/32 MOUNTING HOLES.
- 4) DEBURR ALL HOLES PRIOR TO INSTALLATION.
- 5) DO NOT USE SCALING OPTIONS WHEN PRINTING TEMPLATE!



THIS DRAWING IS CONFIDENTIAL AND IS SUPPLIED ON EXPRESS CONDITION THAT IT SHALL NOT BE LENT, COPIED OR DISCLOSED TO ANY OTHER PERSON OR USED FOR ANY OTHER PURPOSE WITHOUT WRITTEN CONSENT OF HARDIN MARINE INC.. BREACH OF THIS CONTRACT WILL HOLD AND IT'S PRINCIPALS LIABLE FOR LOSS AND DAMAGES.

REVISIONS			DATE	APPROVED
REV.	DESCRIPTION			
A	CHANGED CENTER CUTOUT		9/21/2015	J.P.STULL



4X ϕ .150 ∇ .505
10-24 UNC ∇ .380



UNLESS OTHERWISE SPECIFIED:
DIMENSIONS ARE IN INCHES
TOLERANCES:
FRACTIONAL \pm
ANGULAR: MACH \pm 2° BEND \pm
TWO PLACE DECIMAL \pm .015
THREE PLACE DECIMAL \pm .005

MATERIAL
6061 Alloy
FINISH
ANODIZE BLACK

THIS DRAWING IS CONFIDENTIAL AND IS SUPPLIED ON EXPRESS CONDITION THAT IT SHALL NOT BE LENT, COPIED OR DISCLOSED TO ANY OTHER PERSON OR USED FOR ANY OTHER PURPOSE WITHOUT WRITTEN CONSENT OF HARDIN MARINE INC.. BREACH OF THIS CONTRACT WILL HOLD AND ITS PRINCIPALS LIABLE FOR LOSS AND DAMAGES.

HARDIN MARINE		11 Industry Dr. Palm Coast, FL 32137	
MARINE		386-445-2500 / FAX 386-445-1122	
TITLE: PLATE, BACKING - SINGLE SIDE MOUNT CONTROL		PART NO.	620-60265
SIZE	DWG. NO.	PART NO.	REV
A	620-60265 REV A	620-60265	A
SCALE: 1:2	DRAWN BY: J.P.STULL	DATE: 10/25/11	