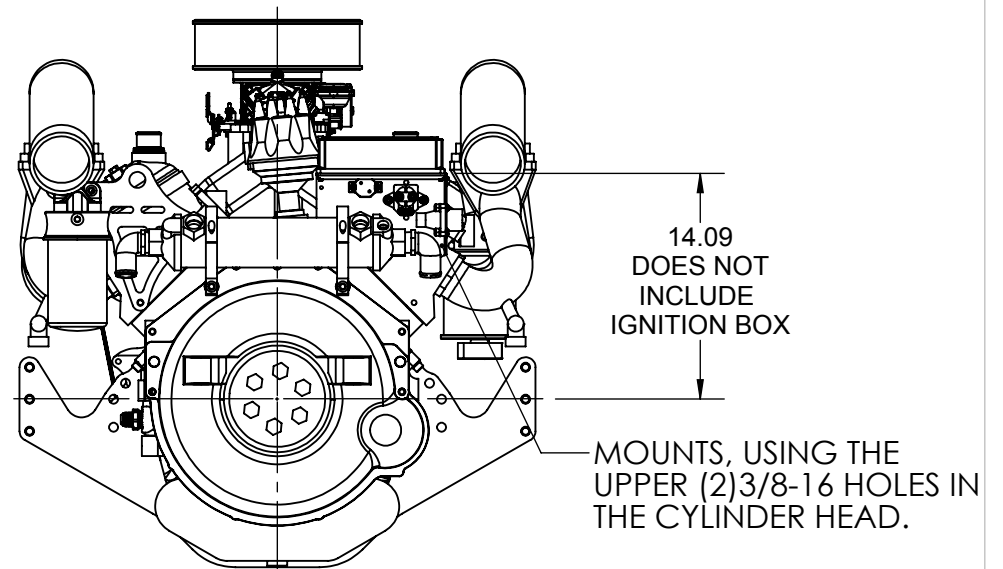
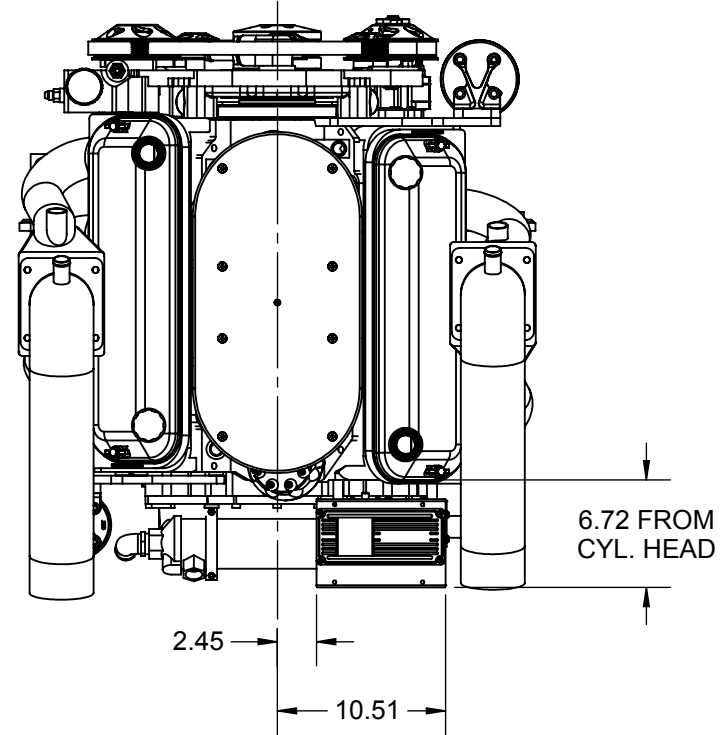
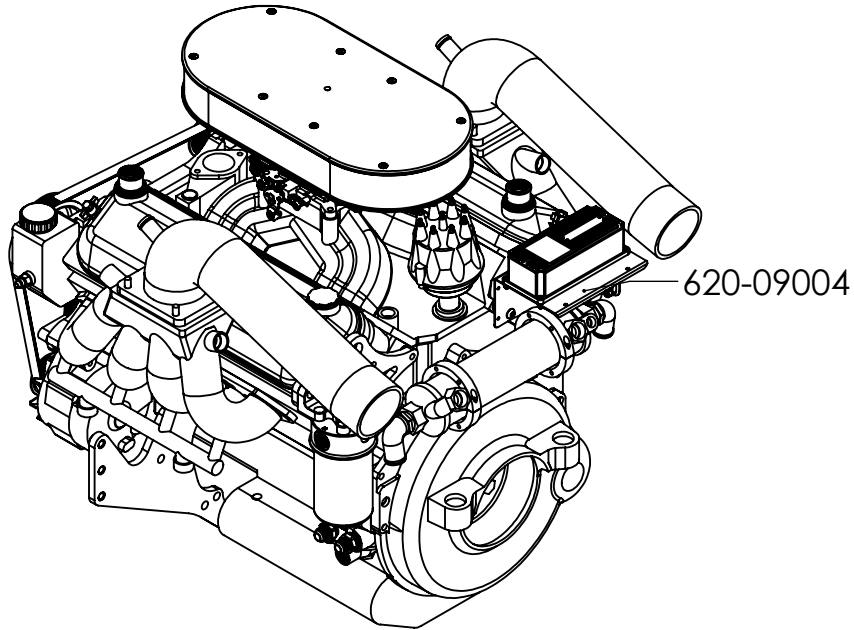


HARDIN MARINE 11 Industry Dr. Palm Coast, FL 32137
386-445-2500 / FAX 386-445-1122

PART NO.
620-09004

TITLE:
620-09004 INSTALLATION DIMENSIONS

www.hardin-marine.com



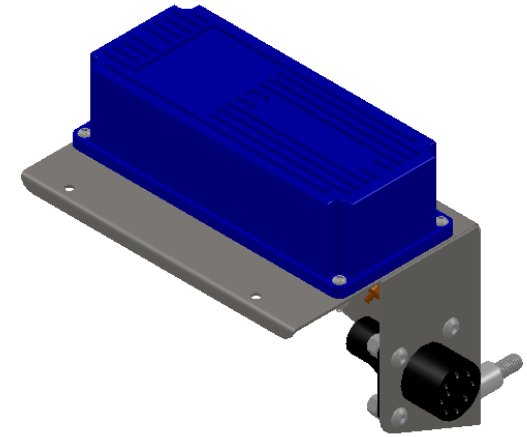
THIS DRAWING IS CONFIDENTIAL AND IS SUPPLIED ON EXPRESS CONDITION THAT IT SHALL NOT BE LENT, COPIED OR DISCLOSED TO ANY OTHER PERSON OR USED FOR ANY OTHER PURPOSE WITHOUT WRITTEN CONSENT OF HARDIN MARINE INC.. BREACH OF THIS CONTRACT WILL HOLD AND IT'S PRINCIPALS LIABLE FOR LOSS AND DAMAGES.

HARDIN MARINE 11 Industry Dr. Palm Coast, FL 32137
386-445-2500 / FAX 386-445-1122

PART NO.
620-09004

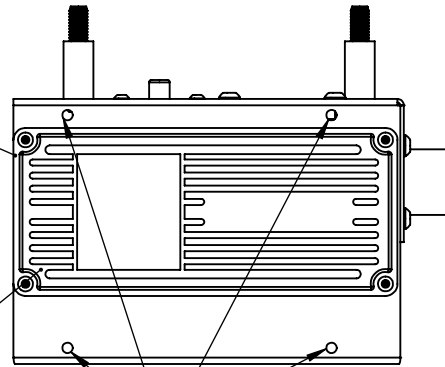
TITLE:
HEAD MOUNT ELECTRICAL BRACKET

www.hardin-marine.com



BOTH 121-2560 MAX VOLT & 120-6560 MSD BOX MOUNTS ON TOP, WITH THE SUPPLIED (4) 8-32x3/4 BOLTS, WASHERS AND NUTS.

SHOWN WITH OPTIONAL 120-6560



OPTIONAL 121-2560 MAX VOLT BOX BOLTS WITH THESE BOLT HOLES.

SHOWN WITH OPTIONAL 755-3514 50 AMP BREAKER

MOUNT BREAKER WITH THE SUPPLIED (2) 8-32x3/4 BOLT AND NUTS

MOUNT BRACKET TO CYLINDER WITH THE SUPPLIED (2) 3/8-16x2" BOLTS AND SPACERS.

MOUNT MERCURY CANNON PLUG WITH THE SUPPLIED (4) 1/4-20x3/4 BOLTS, WASHER AND NUTS.

SHOWN WITH OPTIONAL 137-8249 SOLENOID

MOUNT SOLENOID WITH THE SUPPLIED (2) 1/4-20x1/2 BOLTS, WASHERS AND NUTS

SHOWN WITH OPTIONAL 620-08900 WIRE HARNESS

INSTALL SPACERS BETWEEN BRACKET & CYLINDER HEAD

