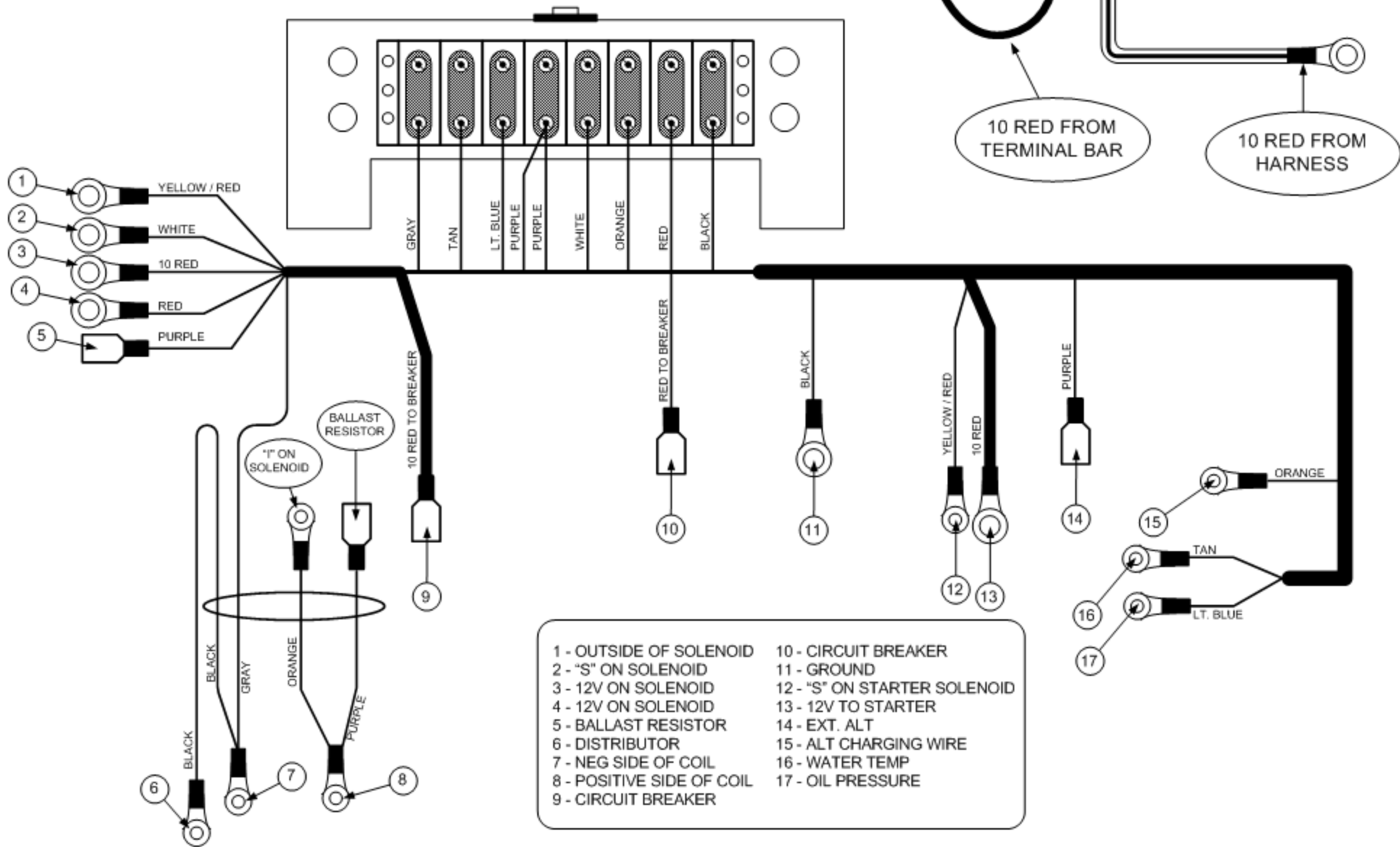


**UNIVERSAL OLDS 455  
 ENGINE WIRING HARNESS  
 P/N 620-08801**



- |                           |                              |
|---------------------------|------------------------------|
| 1 - OUTSIDE OF SOLENOID   | 10 - CIRCUIT BREAKER         |
| 2 - "S" ON SOLENOID       | 11 - GROUND                  |
| 3 - 12V ON SOLENOID       | 12 - "S" ON STARTER SOLENOID |
| 4 - 12V ON SOLENOID       | 13 - 12V TO STARTER          |
| 5 - BALLAST RESISTOR      | 14 - EXT. ALT                |
| 6 - DISTRIBUTOR           | 15 - ALT CHARGING WIRE       |
| 7 - NEG SIDE OF COIL      | 16 - WATER TEMP              |
| 8 - POSITIVE SIDE OF COIL | 17 - OIL PRESSURE            |
| 9 - CIRCUIT BREAKER       |                              |