

HARDIN MARINE 11 Industry Dr. Palm Coast, FL 32137
386-445-2500 / FAX 386-445-1122

PART NO.
137-8214

TITLE:
MERCURY KPLANE TRIM PUMP
w/ BILLET BRACKET

www.mayfairhydraulics.com

ELECTRICAL WIRING

CAUTION All wiring must meet U.S.Coast Guard Standards.

A) 10ga. red wire to positive battery terminal. 20 AMP fuse required in this line per U.S. Coast Guard standard.

B) 10ga. black wire to negative battery terminal.

C) Blue wire, drive - UP.

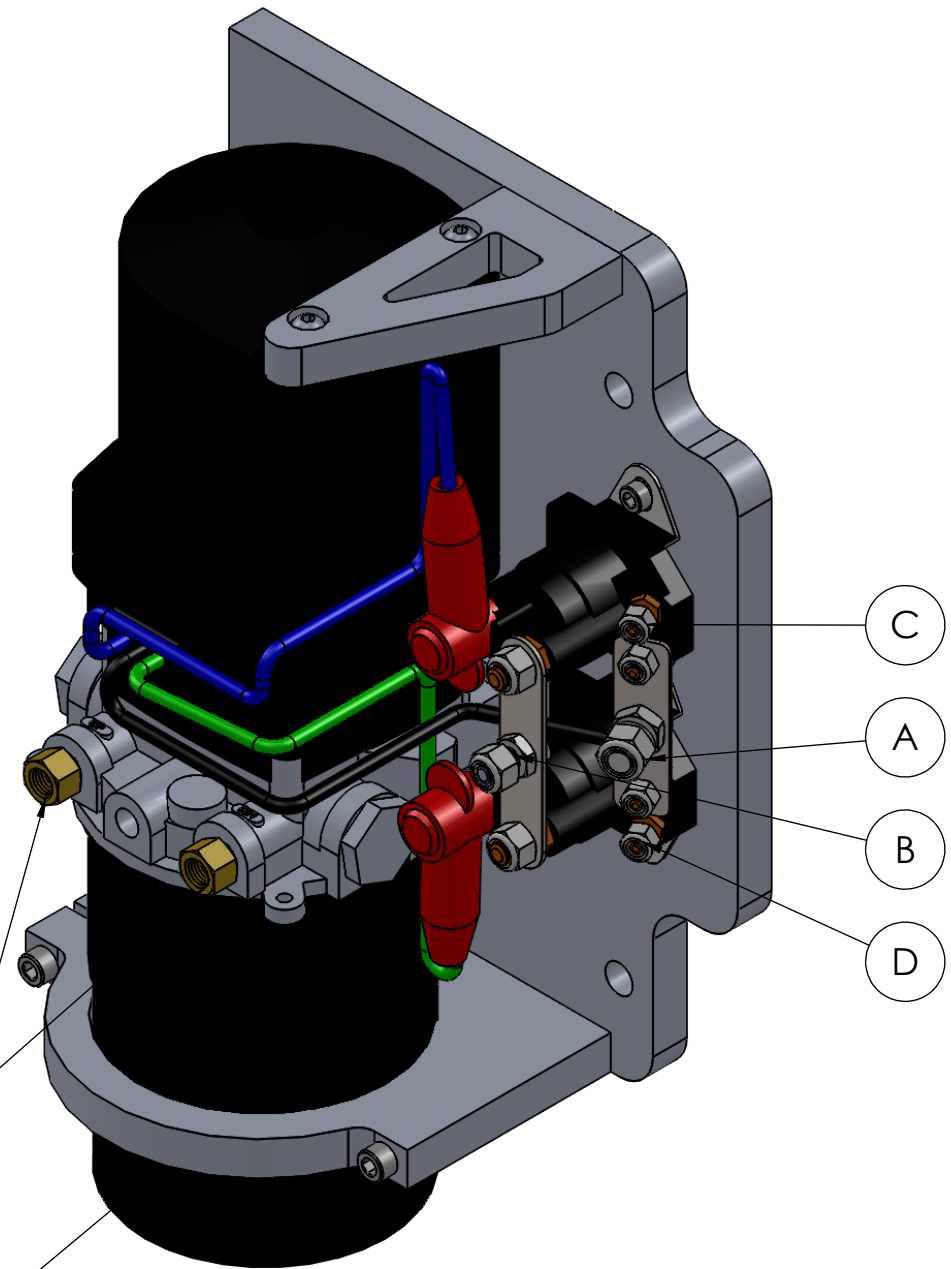
D) Green wire, drive -DOWN.

CAUTION

Avoid damage to trim pump. DO NOT electrically operate pump without having hoses connected and Mercury recommended oil in the reservoir.

-3 INVERTED FLARE

BRACKET ASSEMBLY COMES BLACK. FOR INSTRUCTIONS PURPOSE SHOWN GRAY.

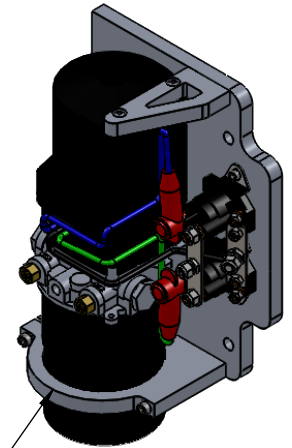
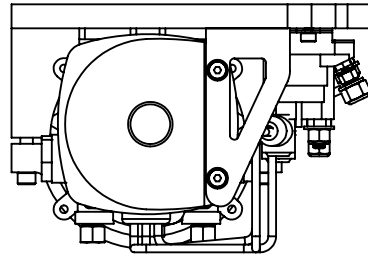


HARDIN MARINE 11 Industry Dr. Palm Coast, FL 32137
386-445-2500 / FAX 386-445-1122

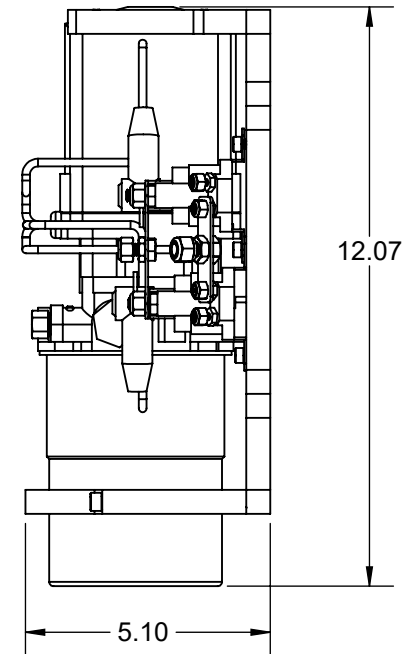
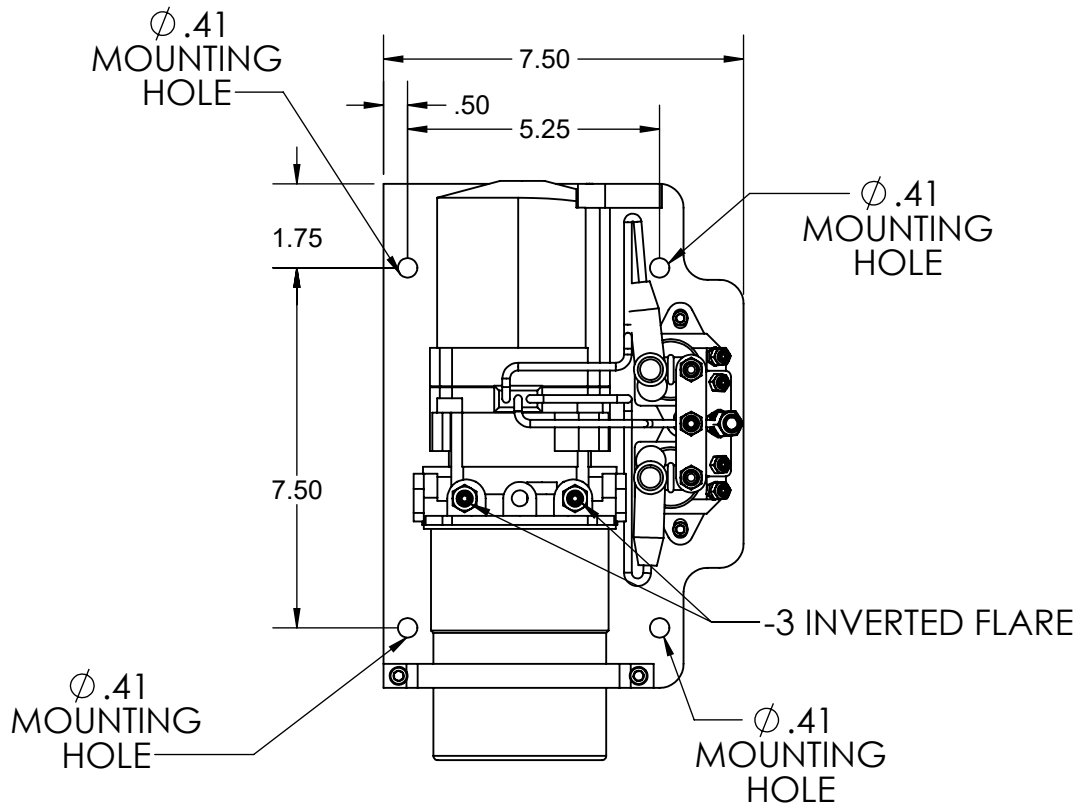
PART NO.
137-8214

TITLE:
MERCURY KPLANE TRIM PUMP w/
BILLET BRACKET

www.mayfairhydraulics.com



BRACKET ASSEMBLY COMES BLACK. FOR INSTRUCTIONS PURPOSE SHOWN GRAY.



THIS DRAWING IS CONFIDENTIAL AND IS SUPPLIED ON EXPRESS CONDITION THAT IT SHALL NOT BE LENT, COPIED OR DISCLOSED TO ANY OTHER PERSON OR USED FOR ANY OTHER PURPOSE WITHOUT WRITTEN CONSENT OF HARDIN MARINE INC.. BREACH OF THIS CONTRACT WILL HOLD AND IT'S PRINCIPALS LIABLE FOR LOSS AND DAMAGES.