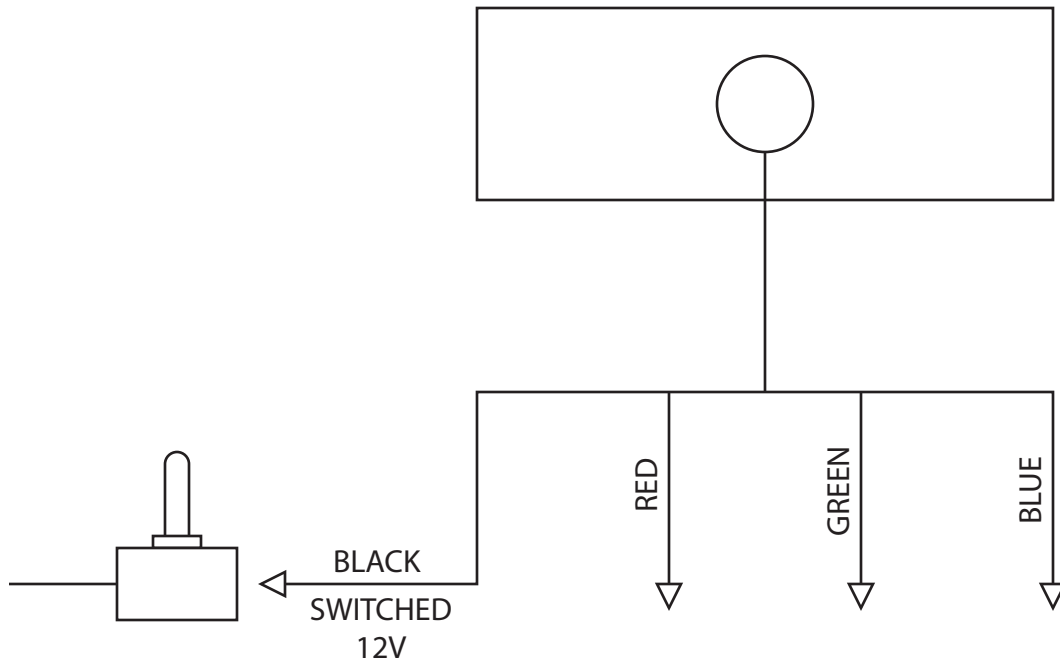


RGB SPECTRUM LIGHTS



Black wire will always go to 12v. The Red, Green and Blue wires are always to ground if used. See color chart below for LED color wiring options.

LED LIGHT COLOR	RED	GREEN	BLUE	YELLOW	PURPLE	TEAL	WHITE
WIRE COLOR							
BLACK	12V+	12V+	12V+	12V+	12V+	12V+	12V+
RED	12V-			12V-	12V-		12V-
GREEN		12V-		12V-		12V-	12V-
BLUE			12V-		12V-	12V-	12V-

12V+ = POSITIVE

12V- = GROUND