

# HARDIN MARINE

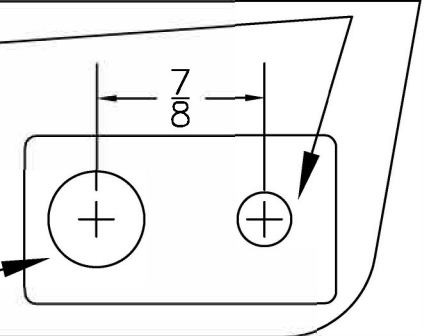
PART NUMBER: 130-1012

DESCRIPTION:  
LATHAM STEERING PLATE DRIVE SHOWER

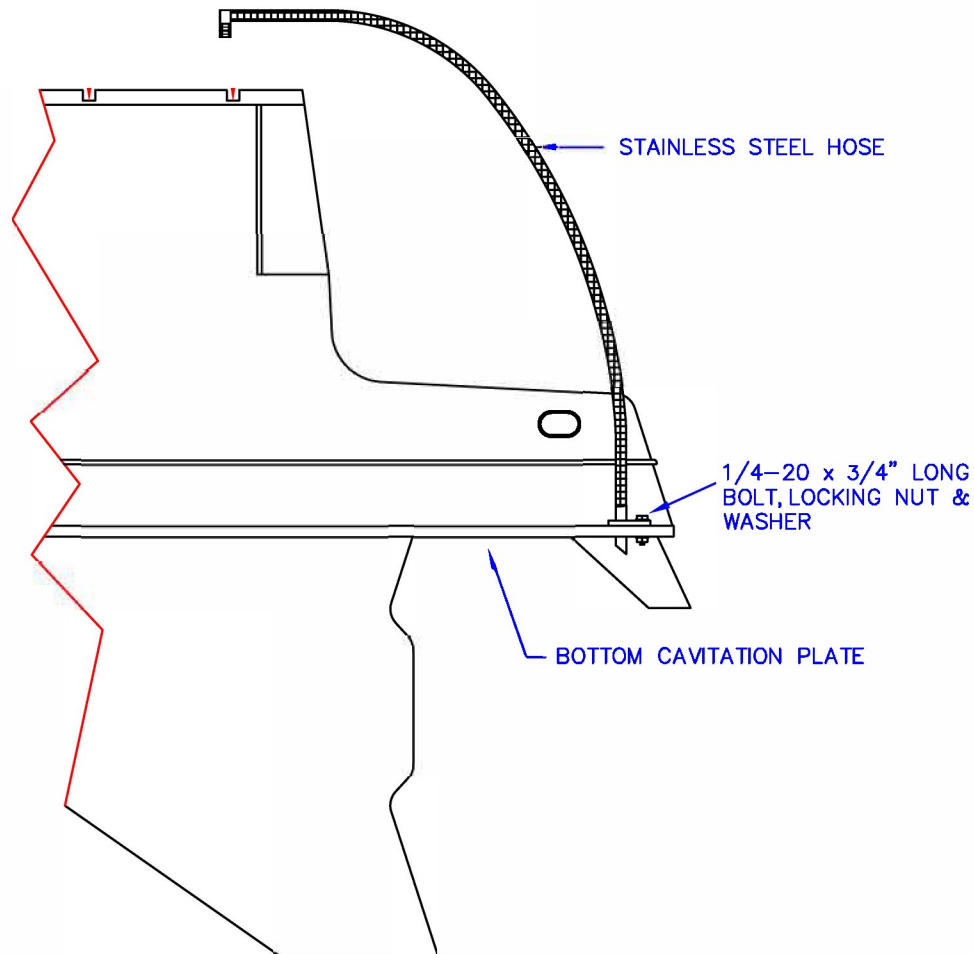
CENTER PUNCH &  
DRILL 9/32 HOLE

TEMPLATE

CENTER PUNCH &  
DRILL 1/2 HOLE



PLACE TEMPLATE EDGE TO  
OUTSIDE EDGE OF CAVITATION PLATE.

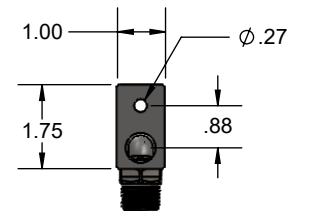
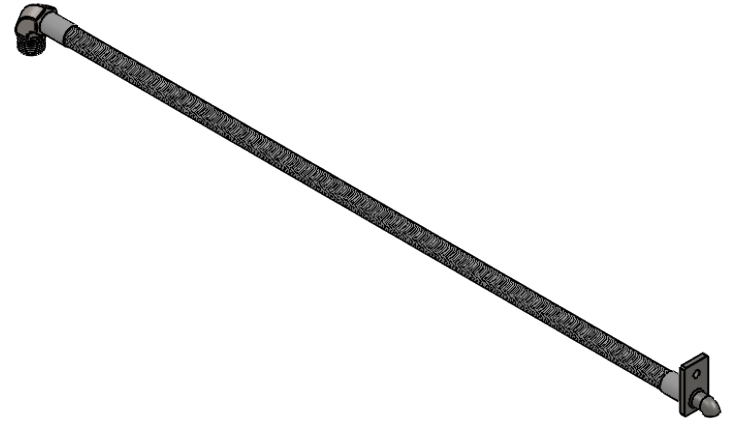


HARDIN 11 Industry Dr. Palm Coast, FL 32137  
MARINE 386-445-2500 / FAX 386-445-1122

PART NO.  
130-1012

TITLE:  
LATHAM DRIVE SHOWER HOSE

www.hardin-marine.com



THIS DRAWING IS CONFIDENTIAL AND IS SUPPLIED ON EXPRESS CONDITION THAT IT SHALL NOT BE LENT, COPIED OR DISCLOSED TO ANY OTHER PERSON OR USED FOR ANY OTHER PURPOSE WITHOUT WRITTEN CONSENT OF HARDIN MARINE INC.. BREACH OF THIS CONTRACT WILL HOLD ..... AND IT'S PRINCIPALS LIABLE FOR LOSS AND DAMAGES.